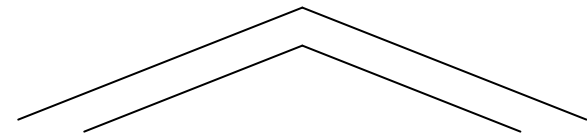
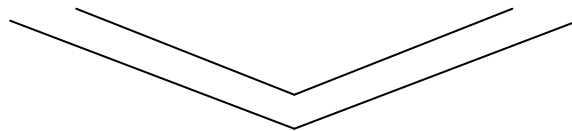

SEZIONE 1

SECTION 1



VALVOLE DI RITEGNO

CHECK VALVES





VALVOLA UNIDIREZIONALE TENUTA A SFERA

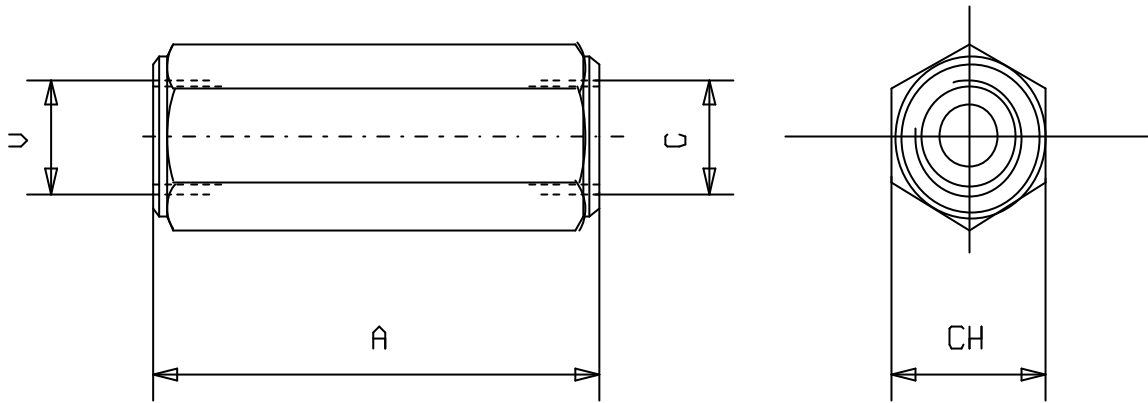
CHECK VALVES, BALL TYPE, LINE MOUNTING

Tipo/Type:

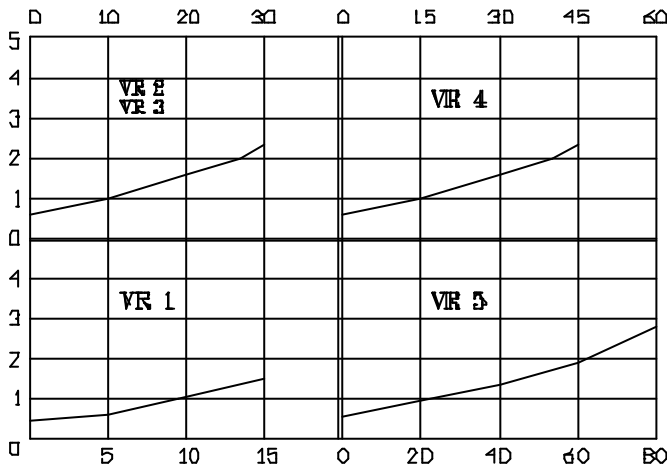
VR

1

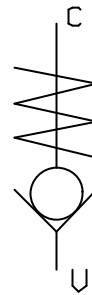
01.00



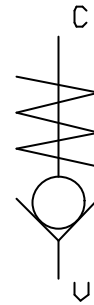
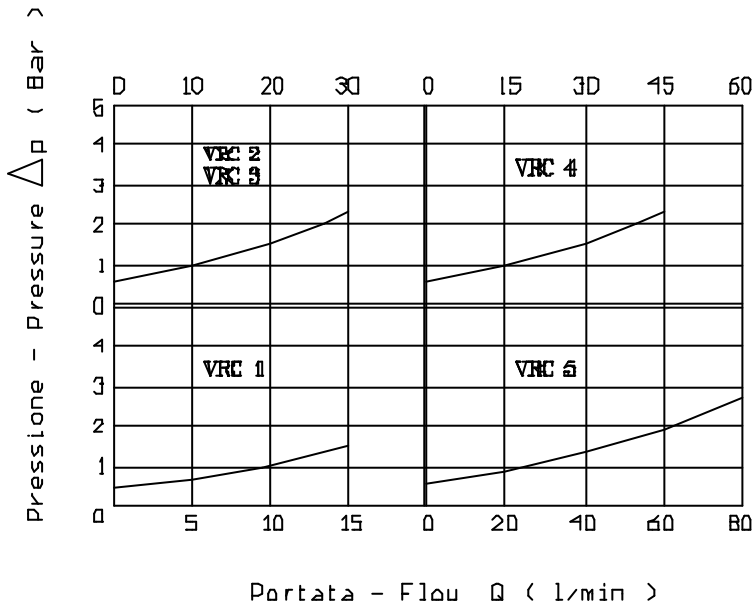
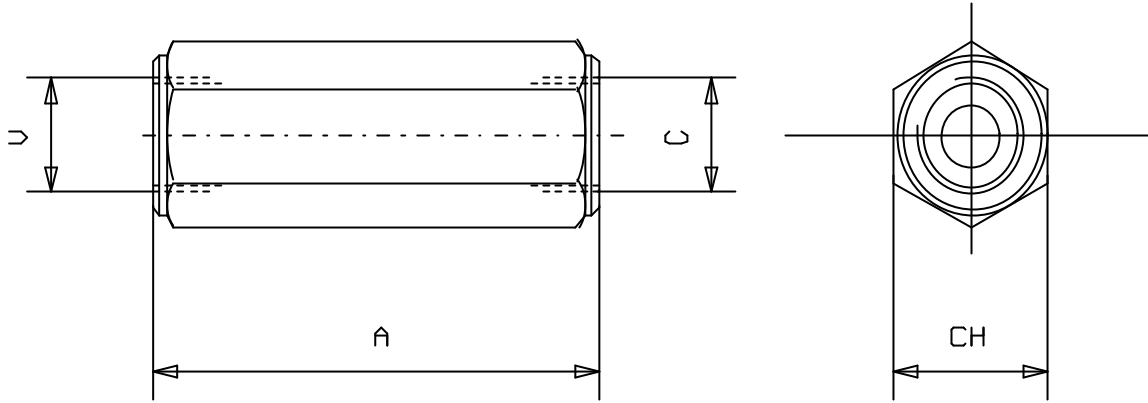
Pressione - Pressure Δp (Bar)



Portata - Flow Q (l/min)



CODICE	U - C	A	CH	Portata Q (l/min)	Press. max. (Bar)	Cracking pressure (Bar)
VR 1	G 1/4	62	19	18	350	0.5
VR 2	G 3/8	68	24	30	350	0.5
VR 3	M18x1.5	68	24	30	350	0.5
VR 4	G 1/2	78	27	50	300	0.5
VR 5	G 3/4	88	36	90	300	0.5



CODICE	U - C	A	CH	Portata Q (l/min)	Press. max. (Bar)	Cracking pressure (Bar)
VRC 1	G 1/4	62	19	18	350	0.5 6
VRC 2	G 3/8	68	24	30	350	0.5 5
VRC 3	M18x1.5	68	24	30	350	0.5 5
VRC 4	G 1/2	78	27	50	300	0.5 8
VRC 5	G 3/4	88	38	90	300	0.5 5
VRC 6	G 1	112	46	120	300	0.5 7



VALVOLA UNIDIREZIONALE A CARTUCCIA
SERIE METRICA

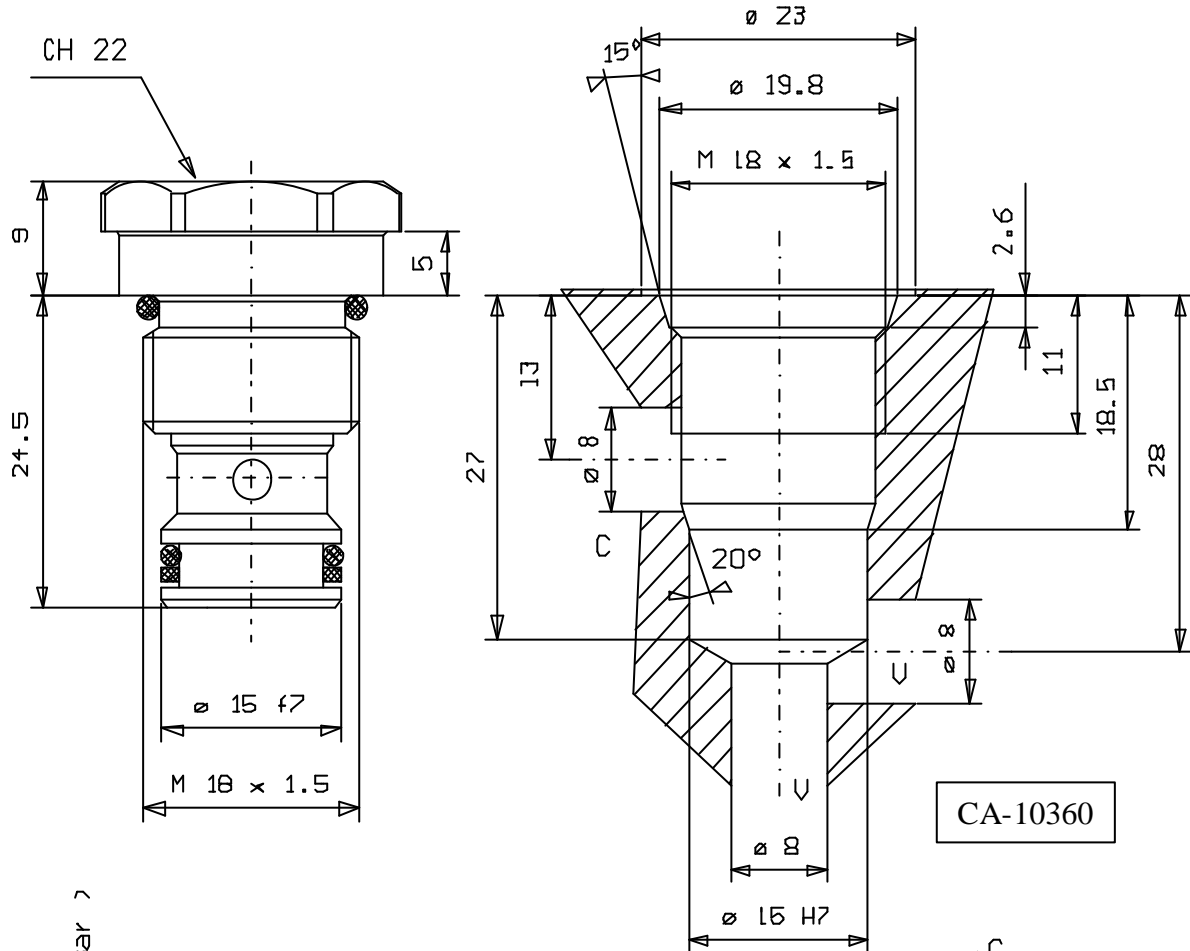
CARTRIDGE CHECK VALVES, METRIC SERIES

Tipo/Type:

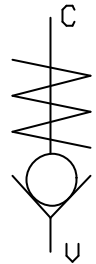
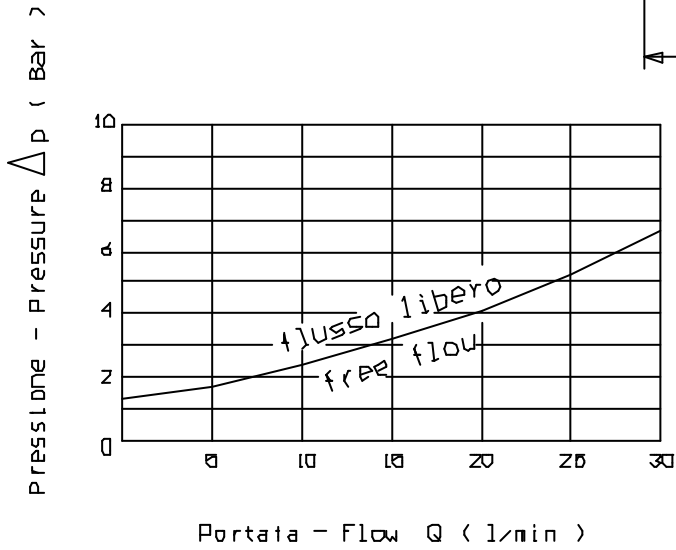
VRCC 18

1

02.80



CA-10360



Press. apert. (Bar)
1

Coppia di serraggio Installation torque
32 -35 (Nm)

Press. max. (Bar)
350



VALVOLA UNIDIREZIONALE A CARTUCCIA

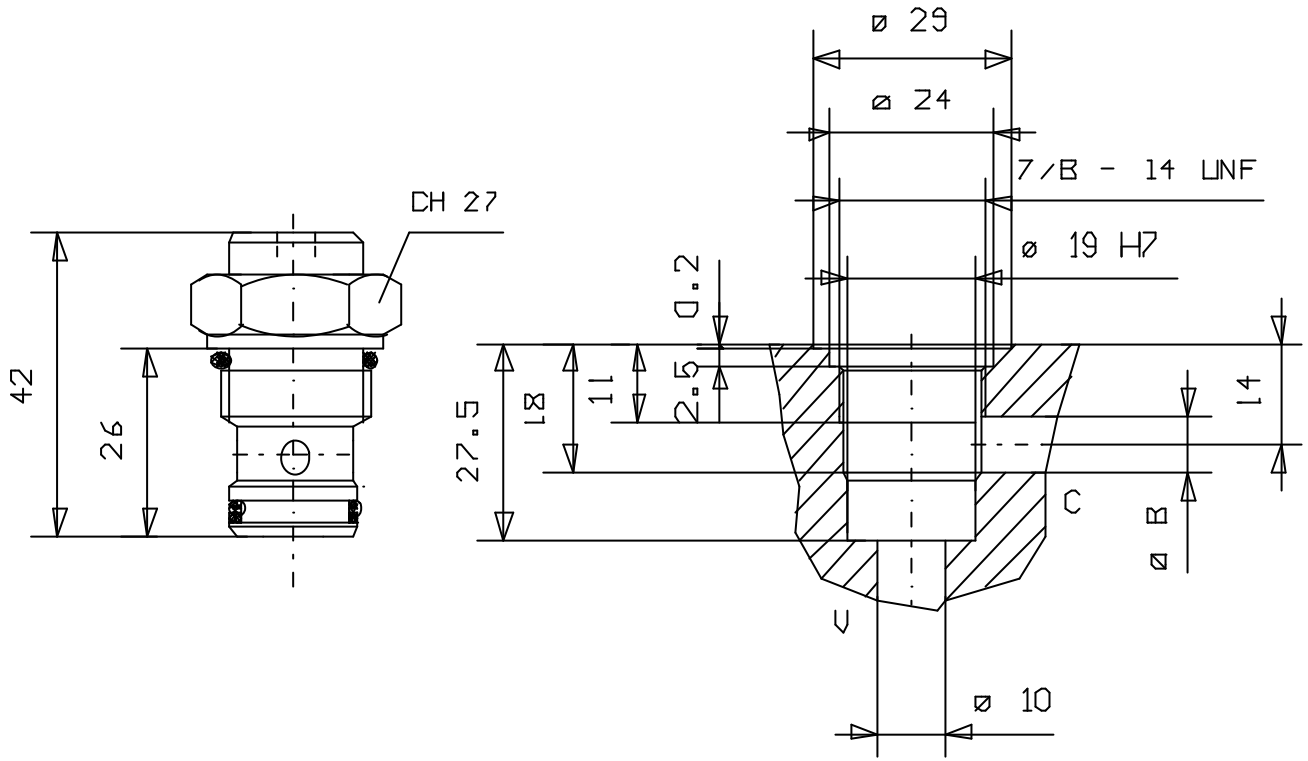
CARTRIDGE CHECK VALVES

Tipo/Type:

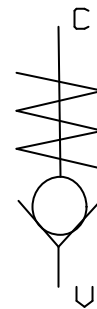
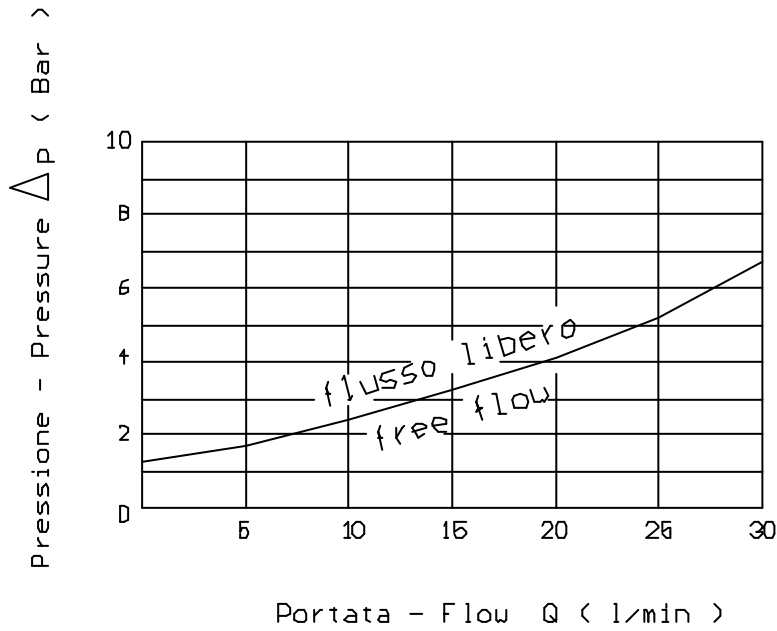
VRCC 38

1

03.00



CA-10400



Press. max (Bar)
350



VALVOLA UNIDIREZIONALE A CARTUCCIA

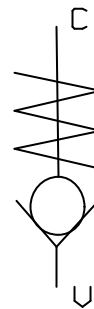
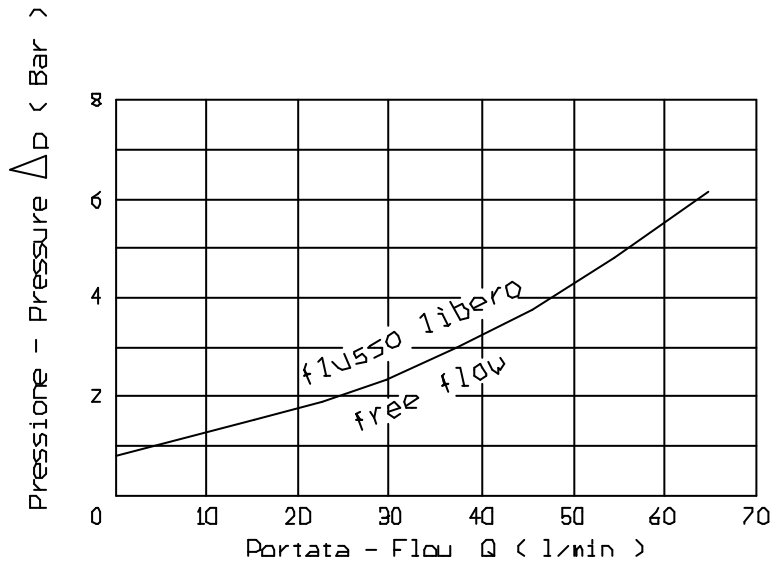
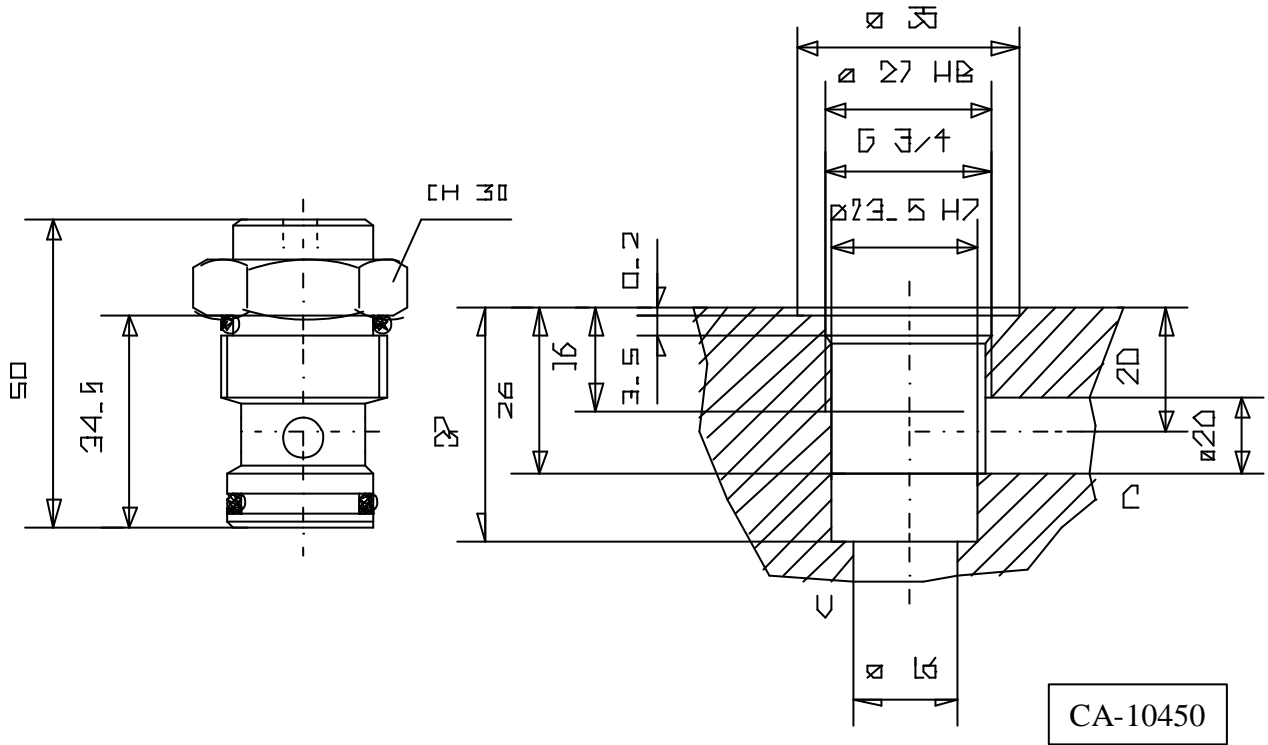
CARTRIDGE CHECK VALVES

Tipo/Type:

VRCC 120

1

04.00



Press. max (Bar)
350



VALVOLA UNIDIREZIONALE A CARTUCCIA

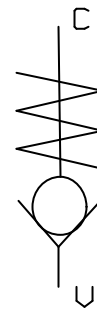
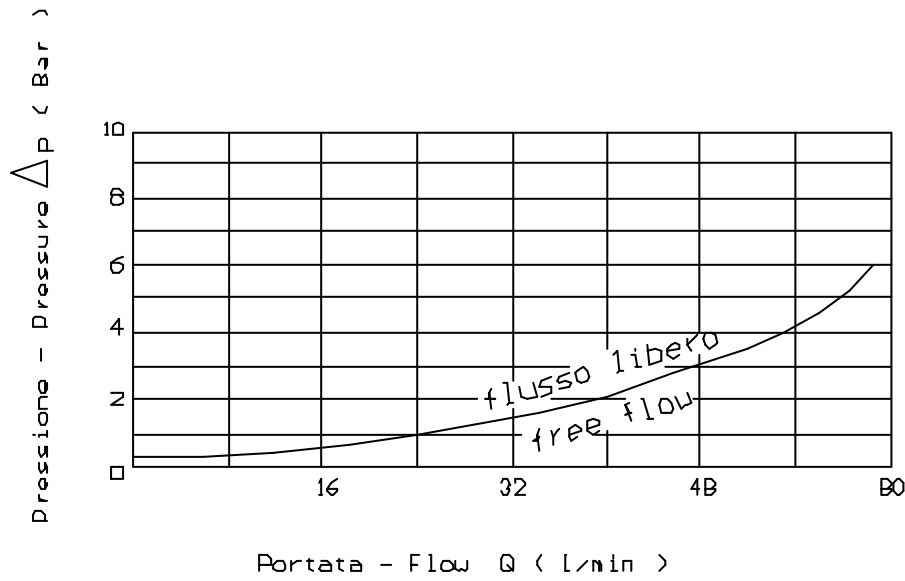
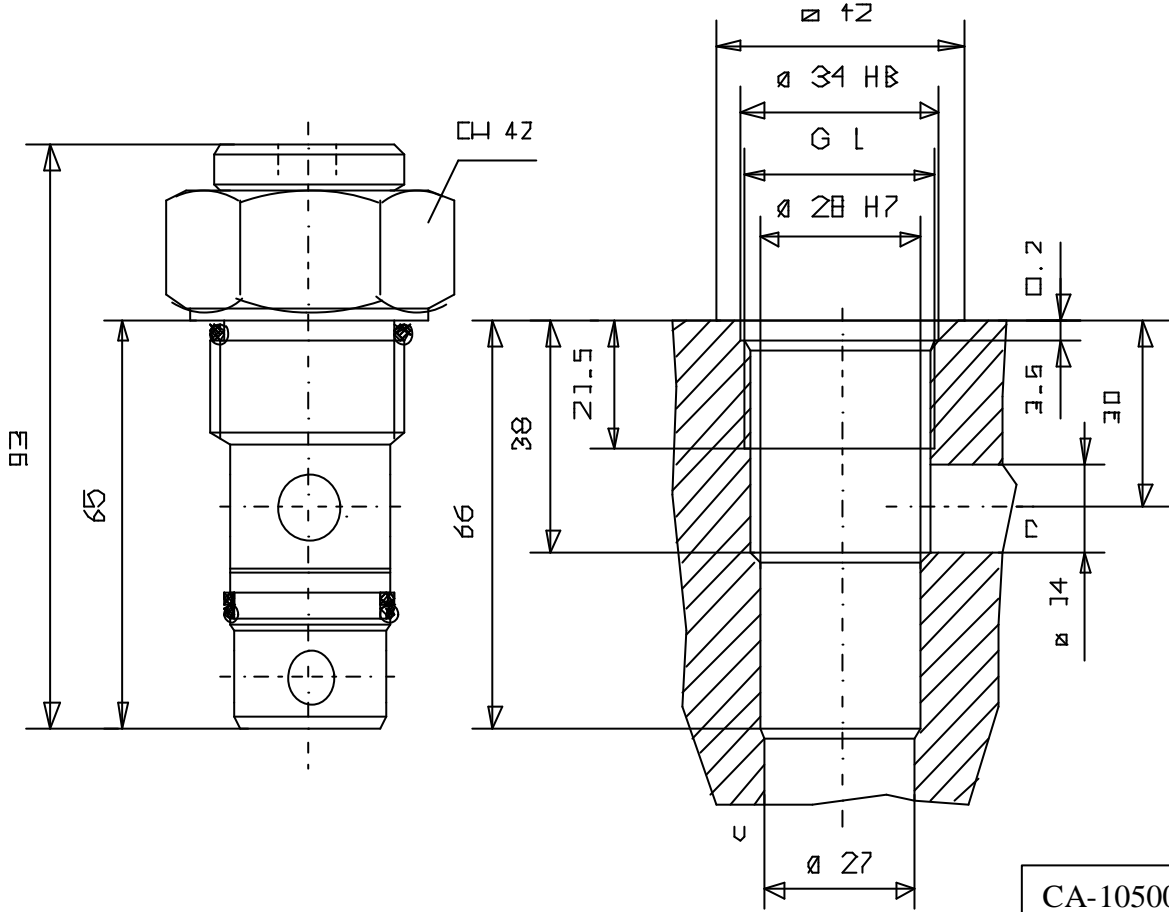
CARTRIDGE CHECK VALVES

Tipo/Type:

VRCC 340

1

05.00



Press. max (Bar)
350



VALVOLA UNIDIREZIONALE A CARTUCCIA
SERIE SAE

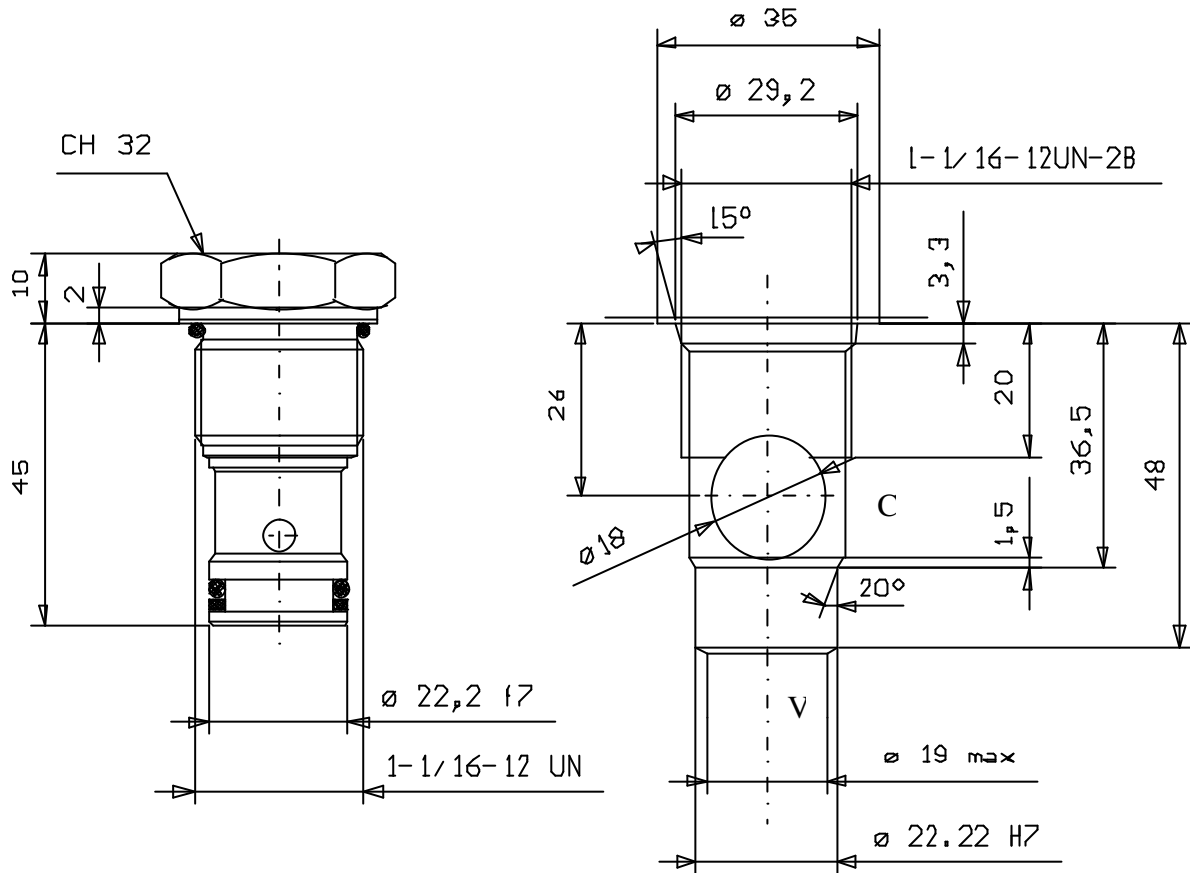
CARTRIDGE CHECK VALVES, SAE SERIES

Tipo/Type:

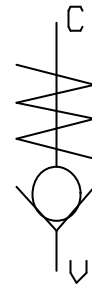
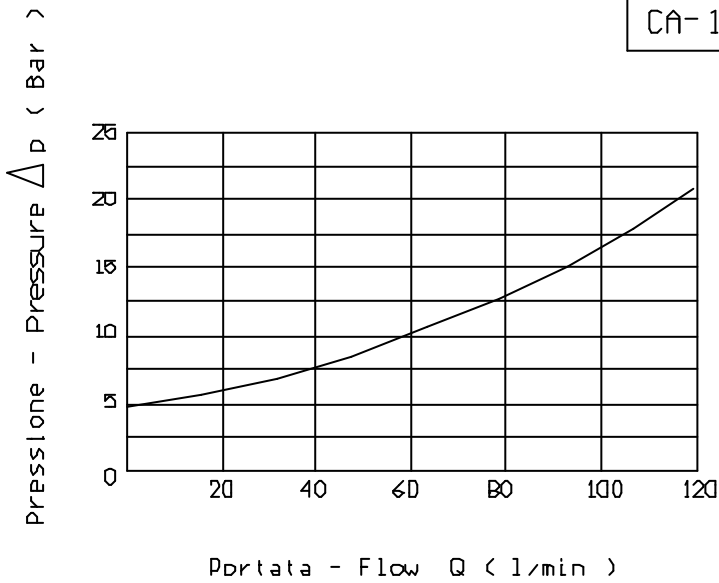
VRCC-12/SAE

1

05.12



CA-12/SAE-2N



Press. apert. (Bar)
4

Coppia di serraggio Installation torque
90 - 110 (Nm)

Press. max. (Bar)
350



VALVOLA DI BLOCCO PILOTATA SEMPLICE EFFETTO
A CARTUCCIA

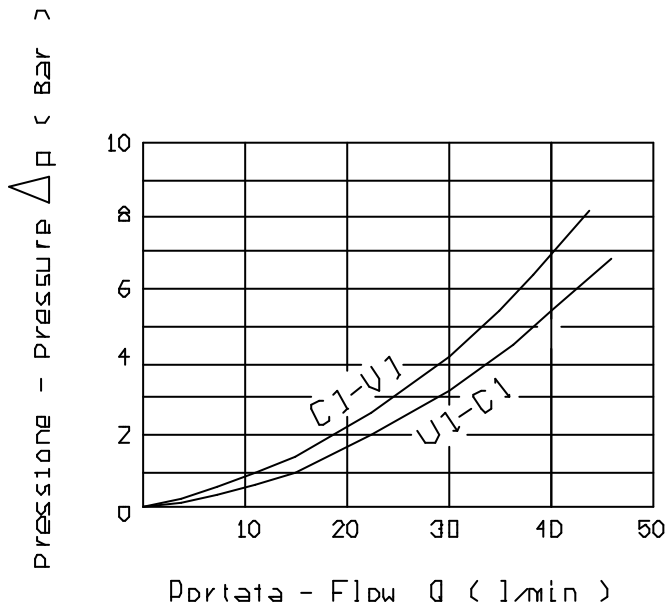
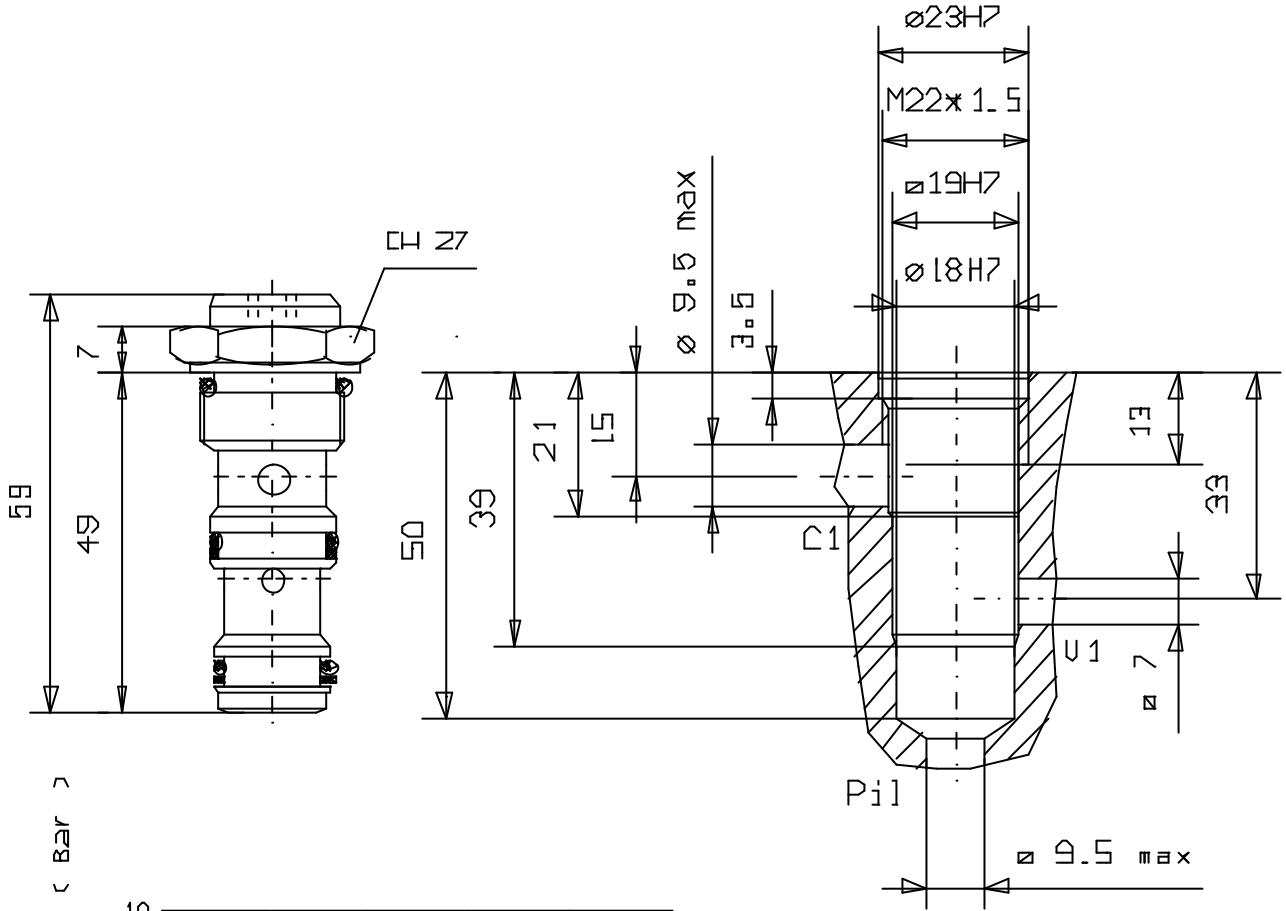
PILOT OPERATED CHECK VALVES, OPERATED TYPE, SINGLE ACTING,
CARTRIDGE CONSTRUCTION

Tipo/Type:

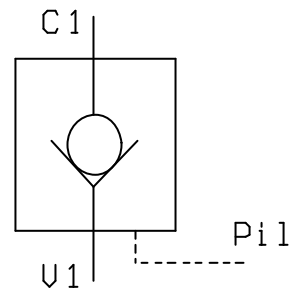
VBP/SE/C 40

1

06.00



CA-10530



MOLLE Inizio apertura (Bar)	Rapp. Pilot.
1	3.4:1
5	
20	

Press. max (Bar)
315



VALVOLA DI BLOCCO PILOTATA SEMPLICE EFFETTO
A CARTUCCIA

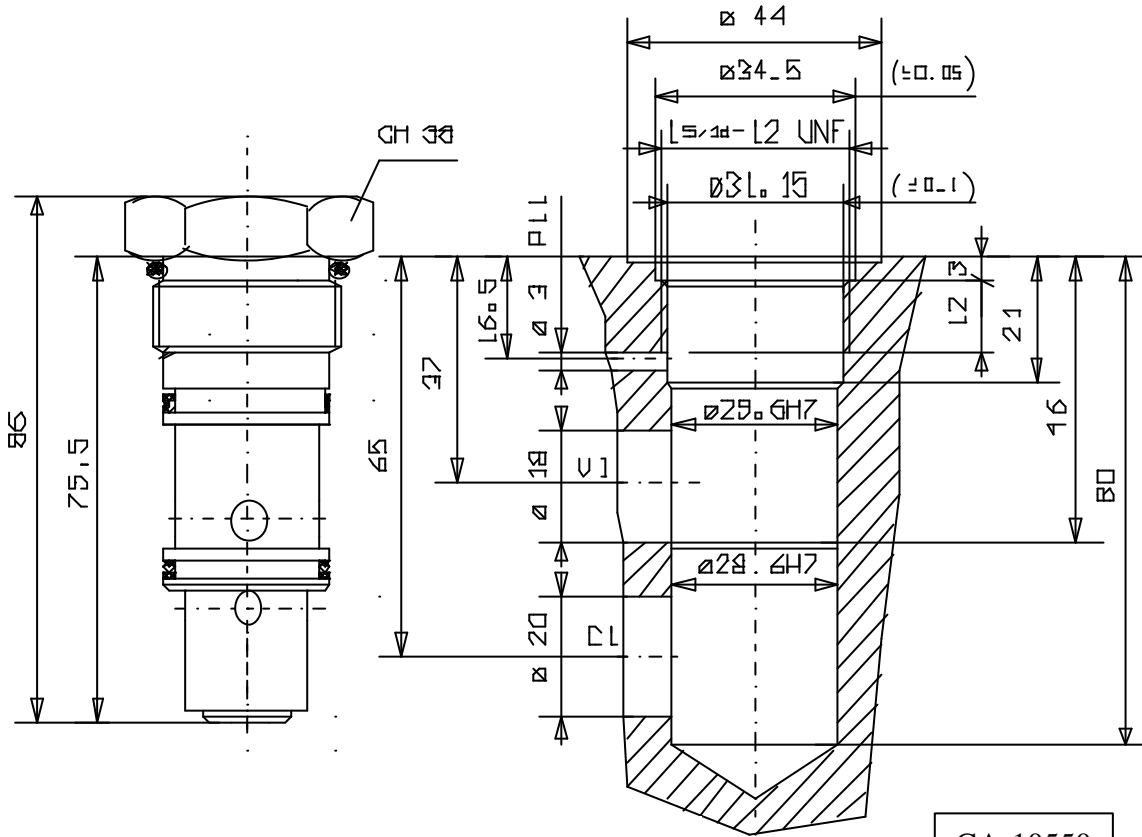
PILOT OPERATED CHECK VALVES, OPERATED TYPE, SINGLE ACTING,
CARTRIDGE CONSTRUCTION

Tipo/Type:

VBP/SE/C 90

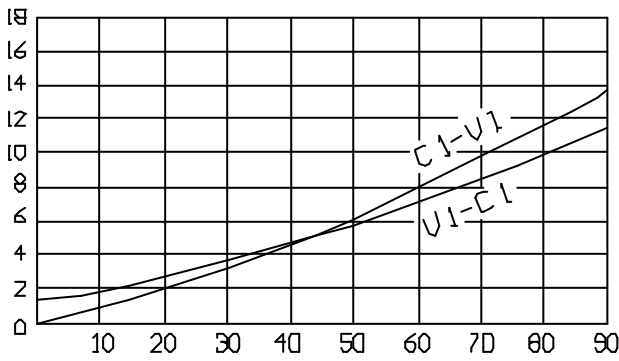
1

07.00

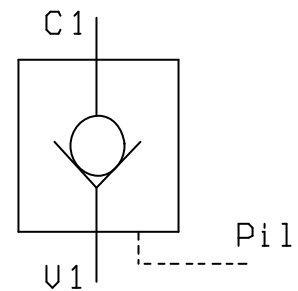


CA-10550

Pressione - Pressure Δp (Bar)



Portata - Flow Q (l/min)



MOLLE Inizio apertura (Bar)	Rapp. Pilot.
1	4:1
7	

Press. max (Bar)
350



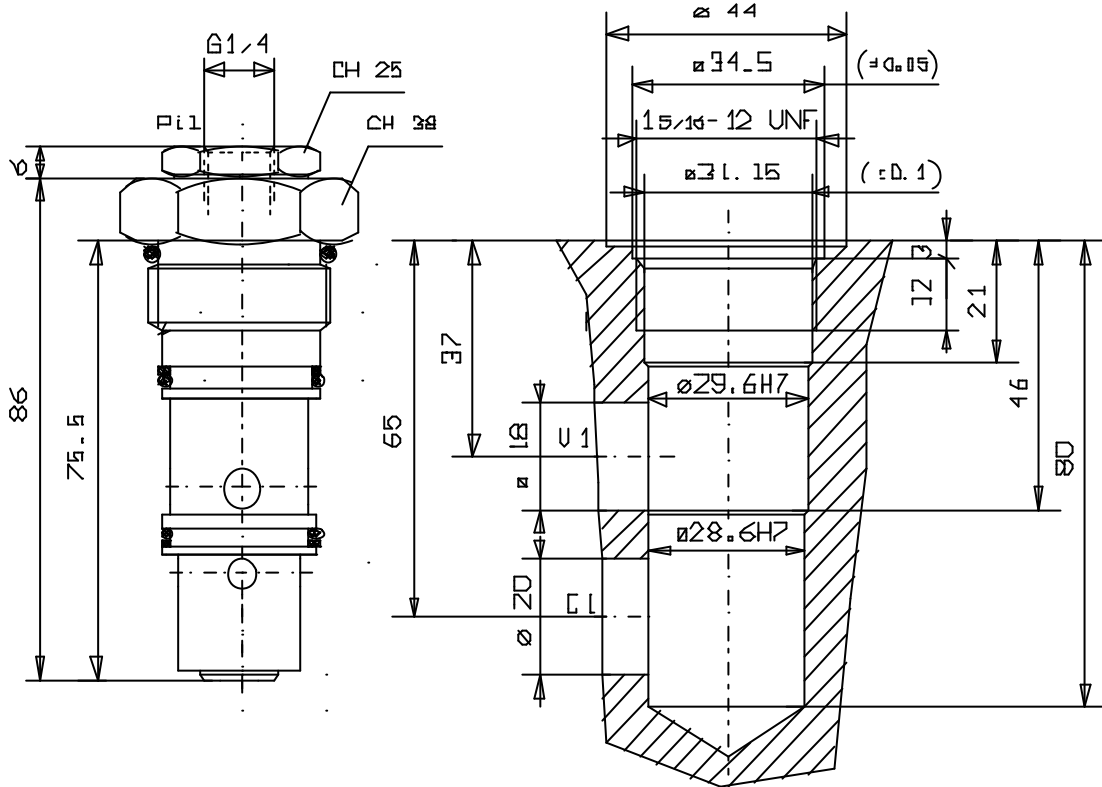
VALVOLA DI BLOCCO PILOTATA SEMPLICE EFFETTO
A CARTUCCIA

PILOT OPERATED CHECK VALVES, OPERATED TYPE, SINGLE ACTING,
CARTRIDGE CONSTRUCTION

Tipo/Type: VBP/SE/C 90/PE

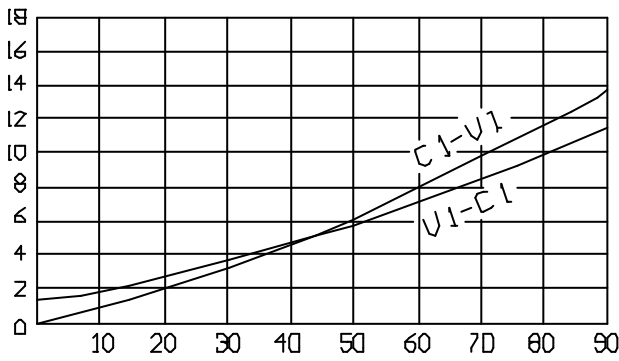
1

07.01

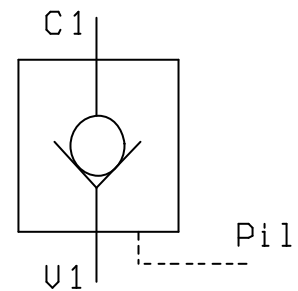


CA-10550

Pressione - Pressure Δp (Bar)



Portata - Flow Q (l/min)



MOLLE Inizio apertura (Bar)	Rapp. Pilot.
1	4:1
7	

Press. max (Bar)
350

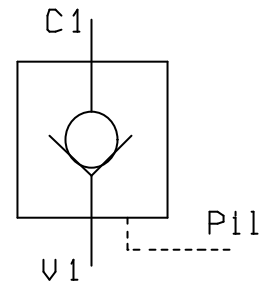
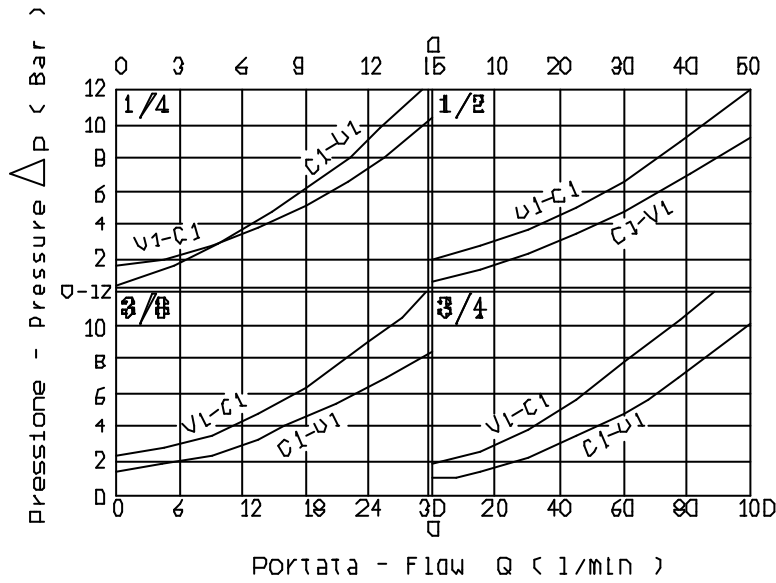
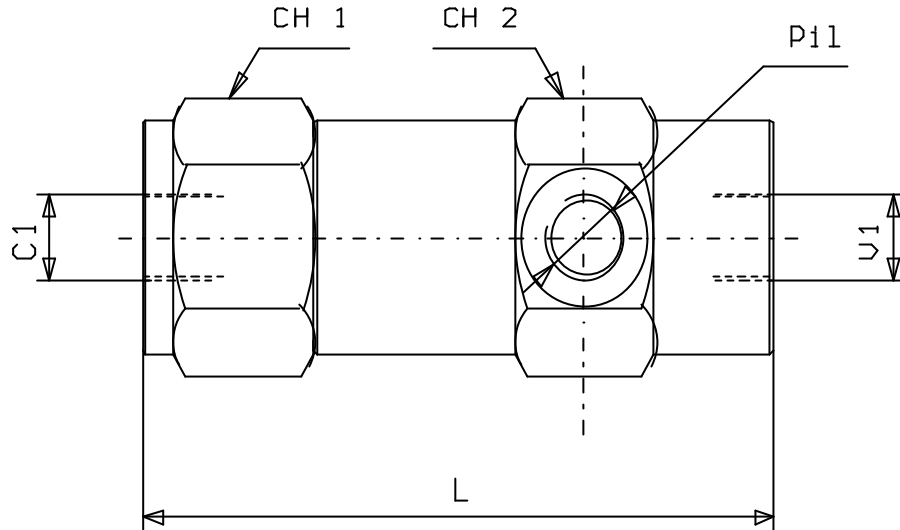
VALVOLA DI BLOCCO PILOTATA SEMPLICE EFFETTO IN LINEA

PILOT OPERATED CHECK VALVES, EXTERNAL PILOT, OPERATED TYPE, SINGLE ACTING, LINE MOUNTING

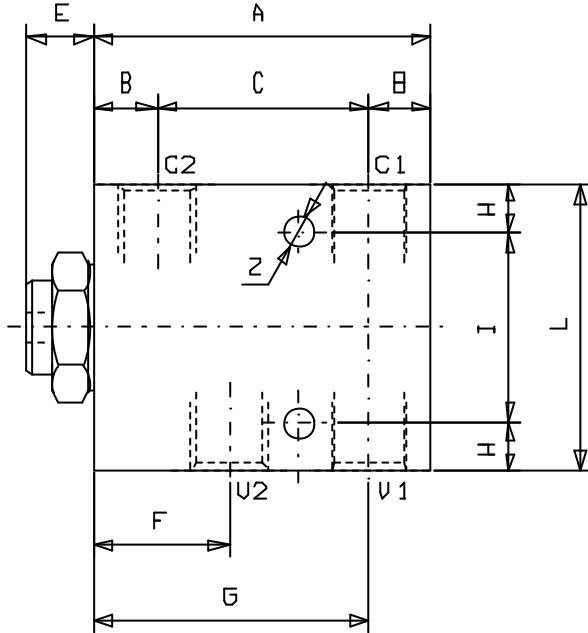
Tipo/Type: **VRP/C ...**

1

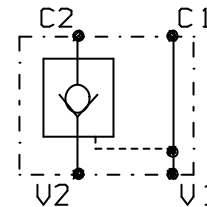
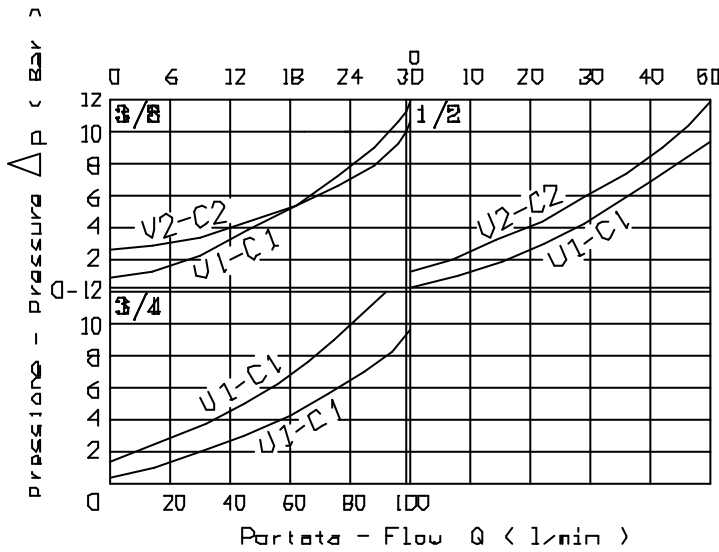
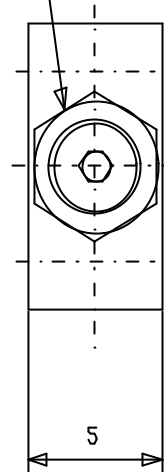
08.00



CODICE	V1 - C1	PIL	L	CH1	CH2	Press. max. (Bar)	Portata Q (l/min)	Rapp. pilot.
VRP/C 1	G 1/4	G 1/4	103	36	36	350	18	9:1
VRP/C 2	G 3/8	G 1/4	109	40	40	310	30	6:1
VRP/C 4	G 1/2	G 1/4	120	42	42	310	50	4.5:1
VRP/C 5	G 3/4	G 1/4	131	55	55	300	90	3.7:1
VRP/C 6	G 1	G 1/4	170	60	70	300	150	3:1



Cartridge VRCC (page 1.03)



Press. max.
(Bar)
350

CODICE	U1-C1 U2-C2	A	B	C	D	E	F	G	H	I	L	S	Z	Rapp. pilot.
VRP/SE/C 38	G 3/8	75	14	47	14	15	30	45	10	40	60	30	6.5	7.1:1
VRP/SE/C 120	G 1/2	95	20.5	55.5	19	15	38	55	15	40	70	35	8.5	3.2:1
VRP/SE/C 340	G 3/4	135	30	83	22	28	57.5	80	20	50	90	45	10.5	4:1



**VALVOLA DI BLOCCO PILOTATA SEMPLICE EFFETTO
FLANGIABILE**

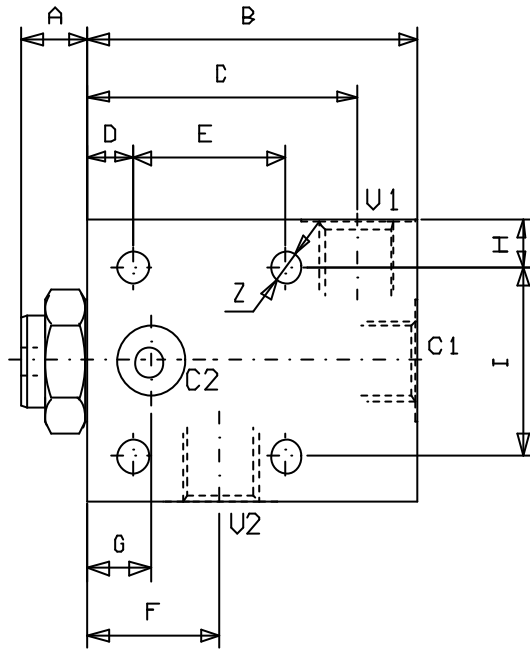
PILOT OPERATED CHECK VALVES, INTERNAL PILOT, OPERATED TYPE, SINGLE ACTING,
FACE MOUNTING

Tipo/Type:

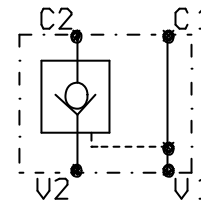
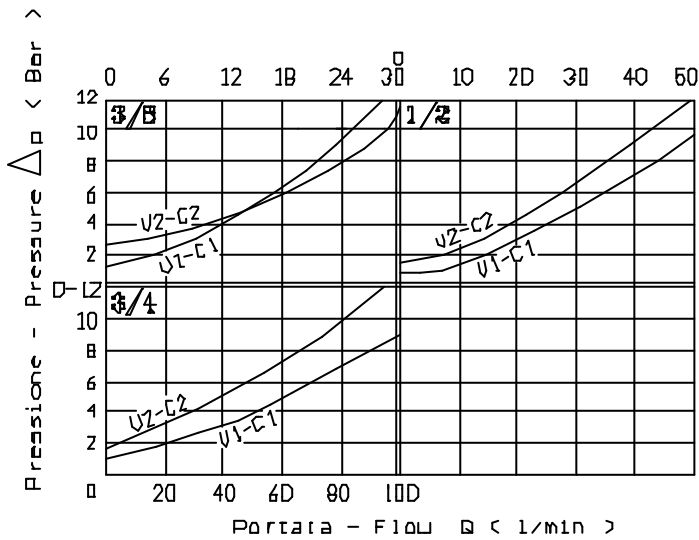
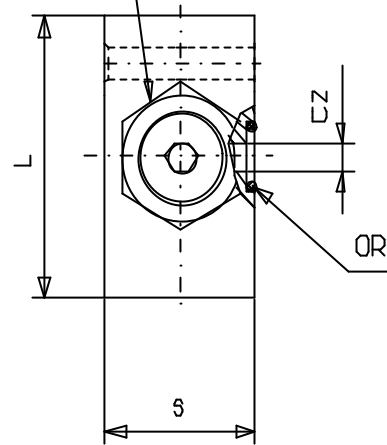
VRP/SE/FL

1

10.00



Cartridge VRCC (page 1.03)



Press. max.
(Bar)
350

CODICE	U1-C1 U2	C2	OR	A	B	C	D	E	F	G	H	I	L	S	Z	Rapp. pilot.
VRP/SE/FL 38	G 3/8	6	3037	15	75	61	10	35	29	14	10	40	60	34	6.5	7.1:1
VRP/SE/FL 120	G 1/2	7	3062	15	95	76	15	40	38	20.5	15	40	70	34	8.5	3.2:1
VRP/SE/FL 340	G 3/4	14	4075	28	135	113	15	65	57.5	30	20	50	90	49	10.5	4:1



**VALVOLA DI BLOCCO PILOTATA SEMPLICE EFFETTO
FLANGIABILE**

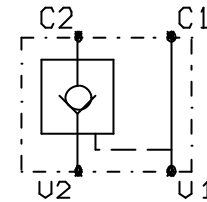
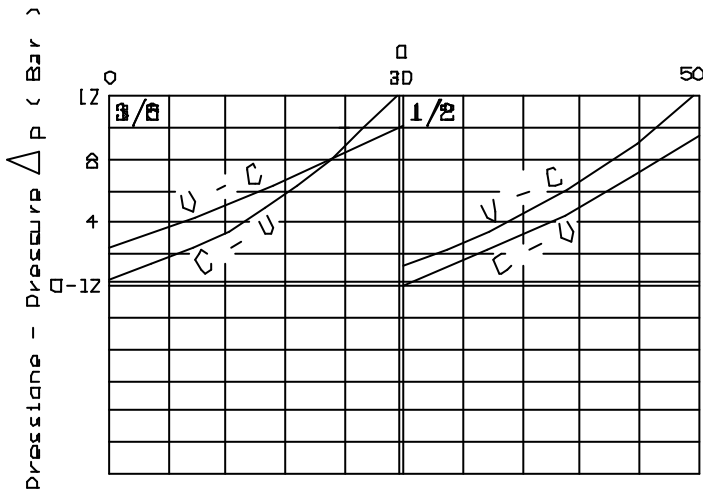
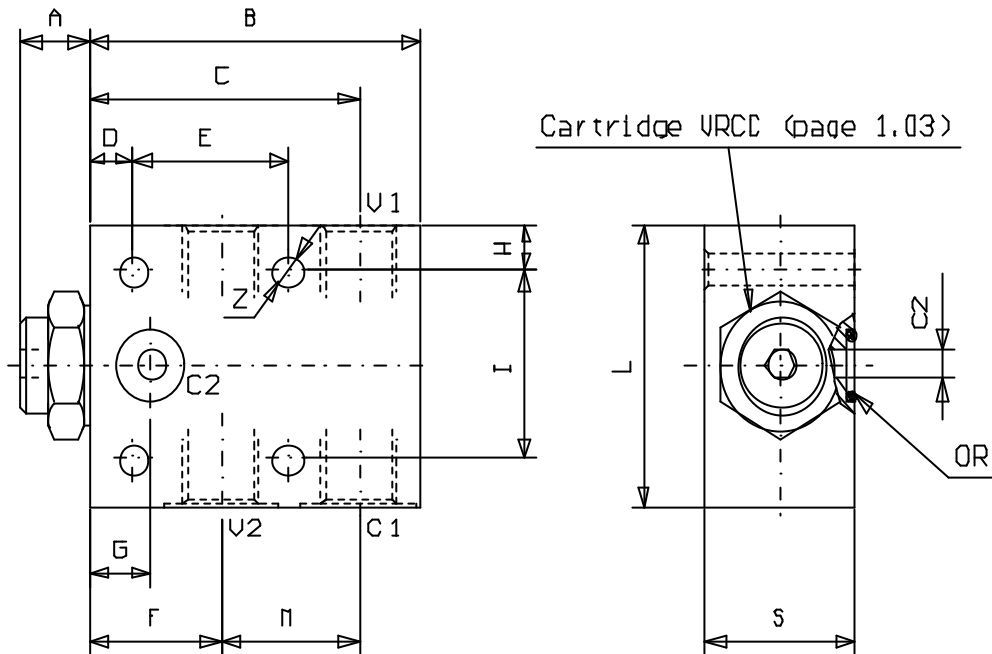
PILOT OPERATED CHECK VALVES, INTERNAL PILOT, OPERATED TYPE, SINGLE ACTING,
FACE MOUNTING

Tipo/Type:

VRP/SE/FL/B

1

10.01



Press. max.
(Bar)
350

Portata - Flow Q (L/min)

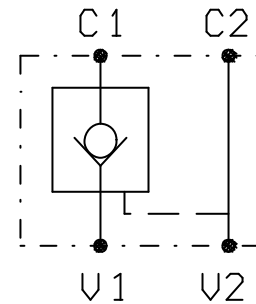
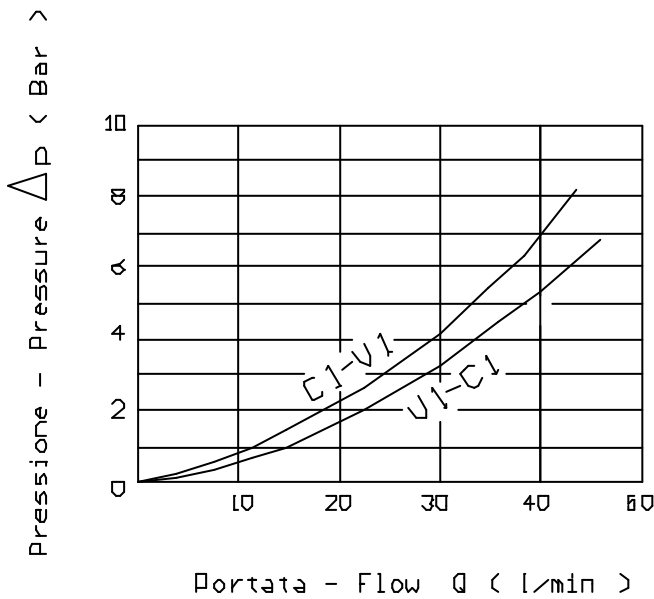
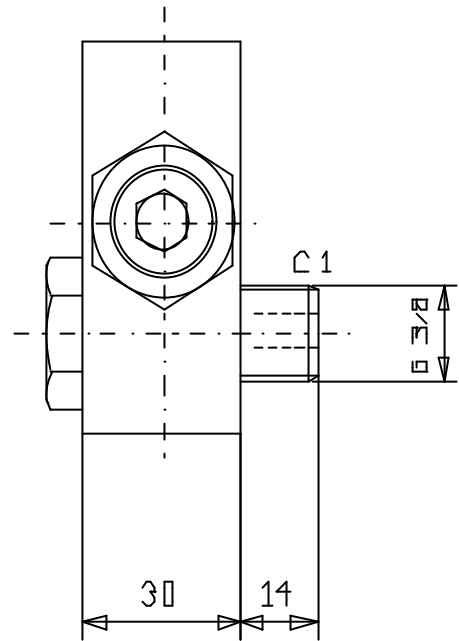
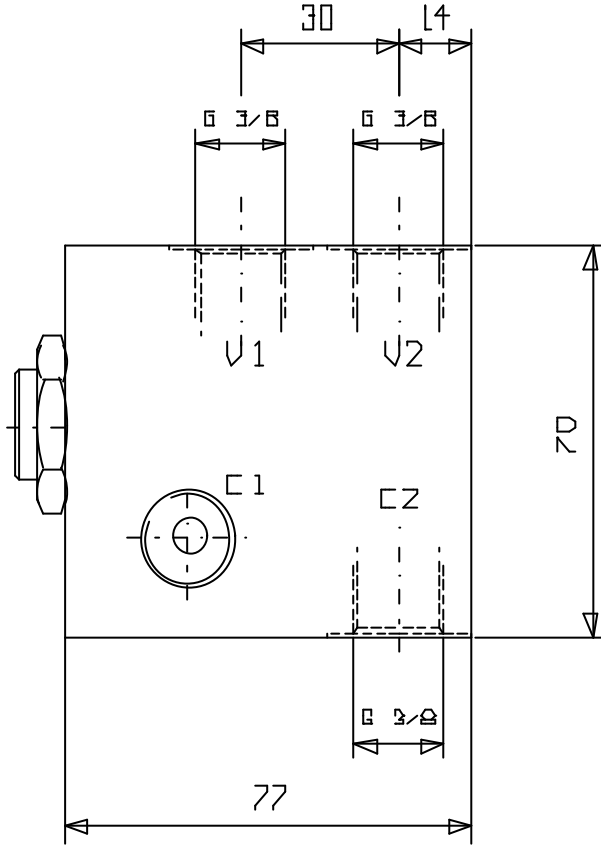
CODICE	U1-C1 U2	C2	OR	A	B	C	D	E	F	G	H	I	L	M	S	Z	Rapp. pilot.
VRP/SE/FL/B 38	G 3/8	6	3037	15	75	61	10	35	29	14	10	40	60	32	34	6.5	7.1:1
VRP/SE/FL/B 120	G 1/2	10	3062	14	95	76	15	40	38	15	15	40	70	38	34	8.5	3.2:1



VALVOLA DI BLOCCO SEMPLICE EFFETTO FLANGIABILE

PILOT OPERATED CHECK VALVES, INTERNAL PILOT, OPERATED TYPE, SINGLE ACTING, FACE MOUNTING

Tipo/Type: **VBP/C40/FL 38** 1 11.00



Press. max (Bar)
315

Rapp. Pilot.
3.4:1



VALVOLA DI BLOCCO PILOTATA SEMPLICE EFFETTO
IN LINEA

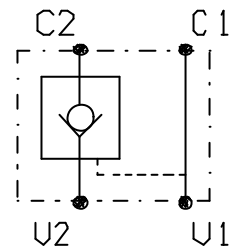
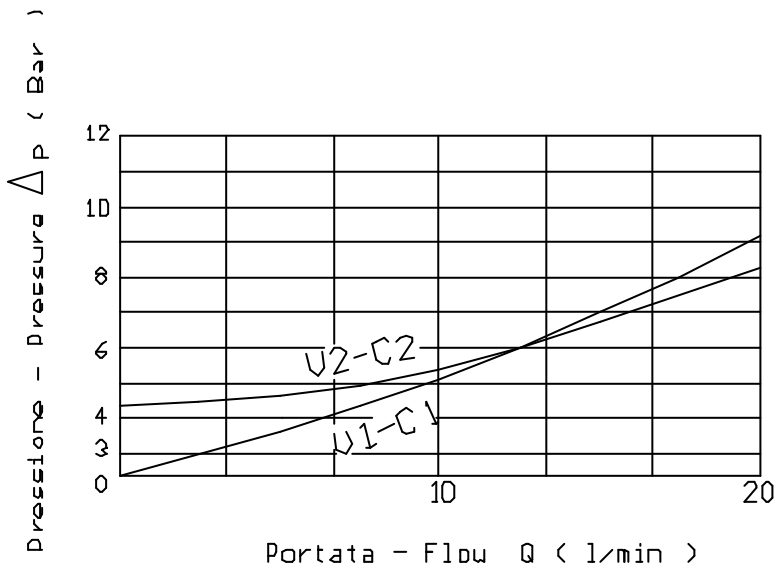
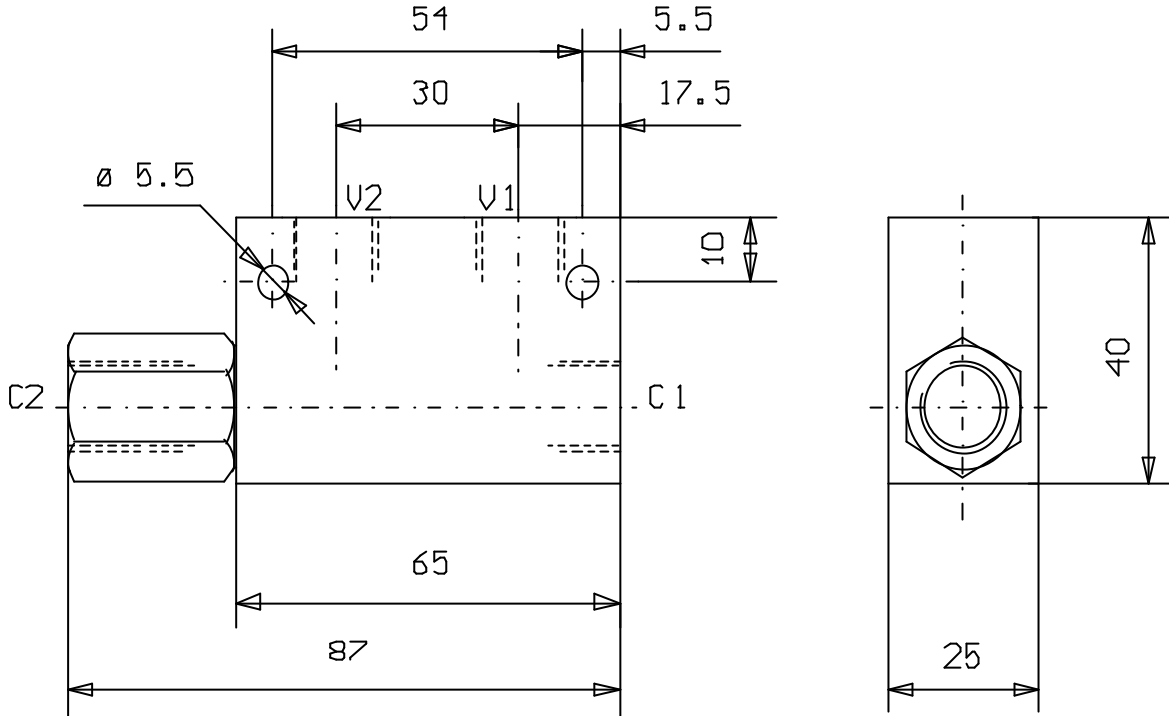
PILOT OPERATED CHECK VALVES, INTERNAL PILOT, OPERATED TYPE, SINGLE ACTING,
LINE MOUNTING

Tipo/Type:

VRP/S/C 14

1

12.00



U1 - C1 U2 - C2	Press. max. (Bar)	Apertura (Bar)	Rapp. pilot.
G 1/4	350	0.5 4	4.7 : 1



VALVOLA DI BLOCCO PILOTATA SEMPLICE EFFETTO
IN LINEA

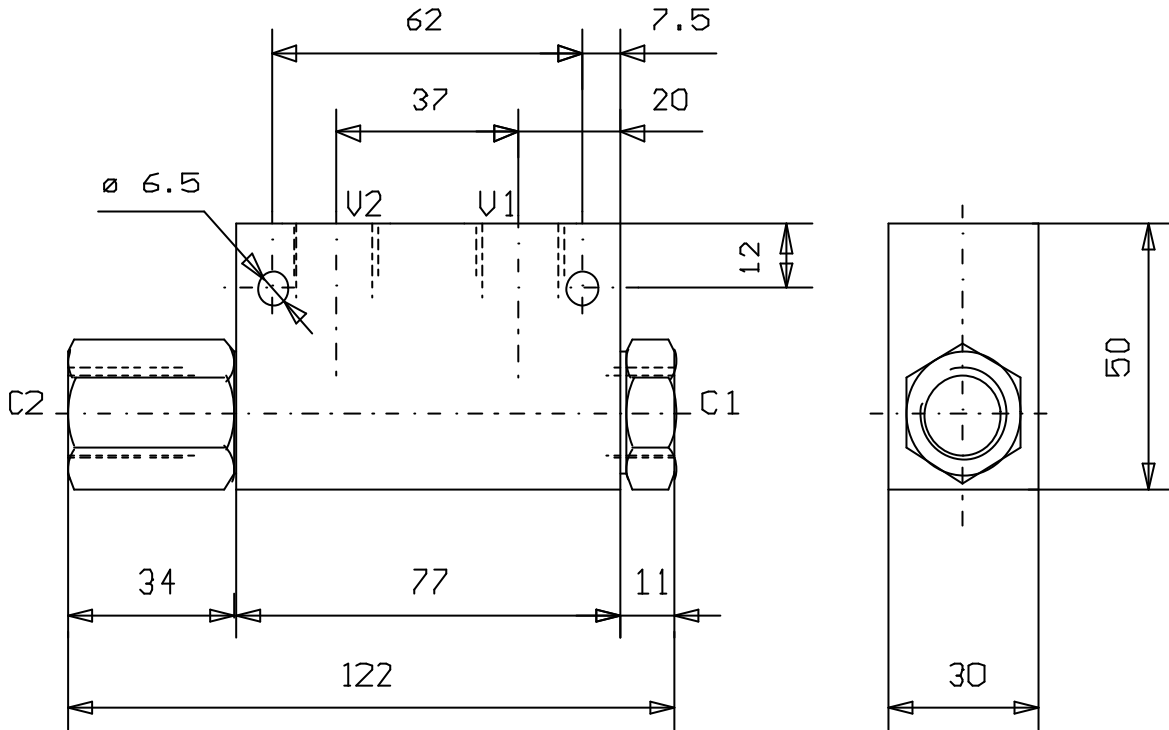
PILOT OPERATED CHECK VALVES, INTERNAL PILOT, OPERATED TYPE, SINGLE ACTING,
LINE MOUNTING

Tipo/Type:

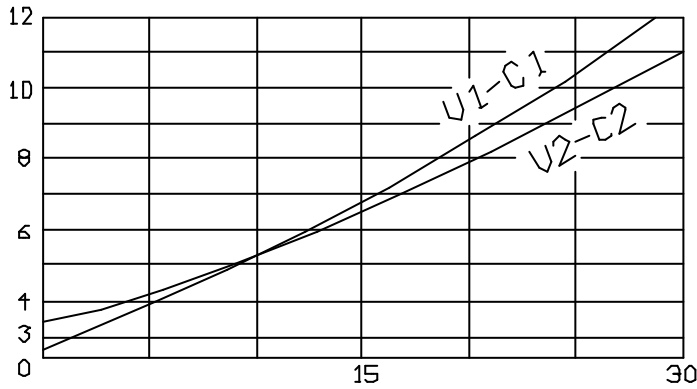
VRP/S/C 38

1

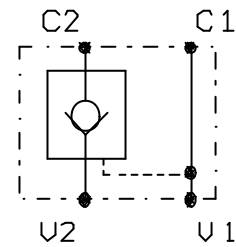
13.00



Pressione - Pressure Δp (Bar)



Portata - Flow Q (l/min)



U1 - C1 U2 - C2	Press. max. (Bar)	Apertura (Bar)	Rapp. pilot.
G 3/8	350	0.5 4	3.2:1



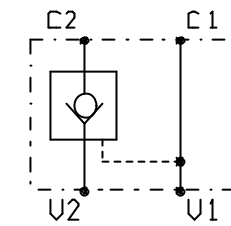
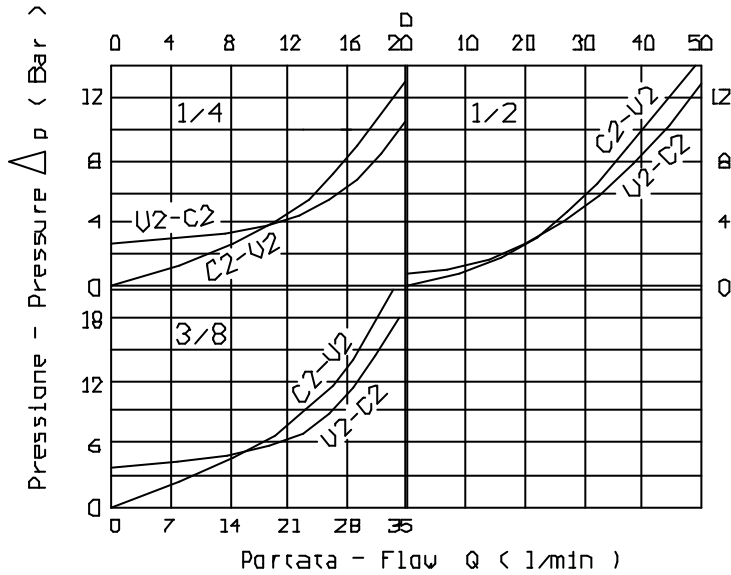
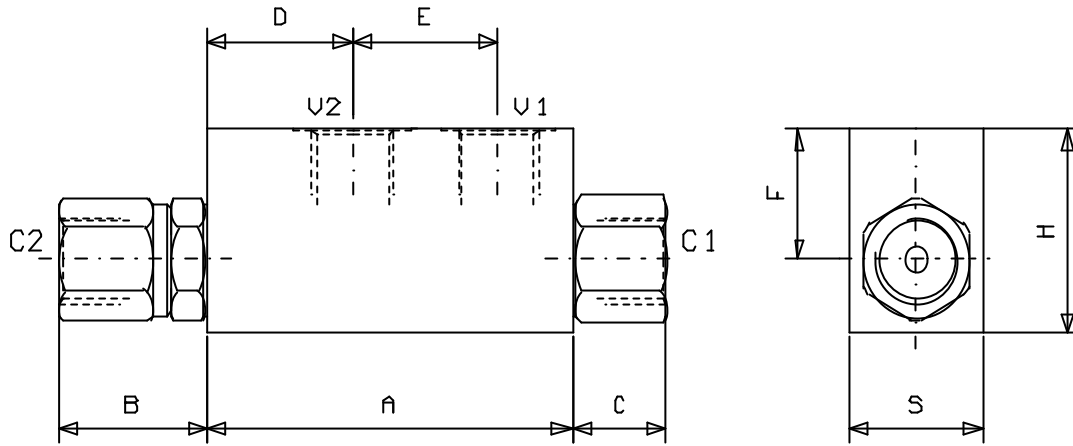
**VALVOLA DI BLOCCO PILOTATA
SEMPLICE EFFETTO, MONTAGGIO IN LINEA**

PILOT OPERATED CHECK VALVES, INTERNAL PILOT, OPERATED TYPE, SINGLE ACTING,
LINE MOUNTING

Tipo/Type: **VRP/SE/DL ...**

1

13.10



Press. max.
(Bar)
350

CODICE	MOLLE Inizio apertura (Bar)	
VRP/SE/DL 14	0.5	8
VRP/SE/DL 38	1	8
VRP/SE/DL 120	1	8

CODICE	U1-C1 U2-C2	A	B	C	D	E	F	H	S	Rapp. pilot.	
										Standard	On request
VRP/SE/DL 14	Ø 1/4	70	33	-	20	35	24	40	35	4:1	9:1
VRP/SE/DL 38	Ø 3/8	80	36	-	20	38	30	50	35	4:1	-
VRP/SE/DL 120	Ø 1/2	95	38.5	25	38	38	32	50	35	3.2:1	6:1



**VALVOLA DI BLOCCO PILOTATA SEMPLICE EFFETTO
IN LINEA CON RUBINETTO (DESTRA)**

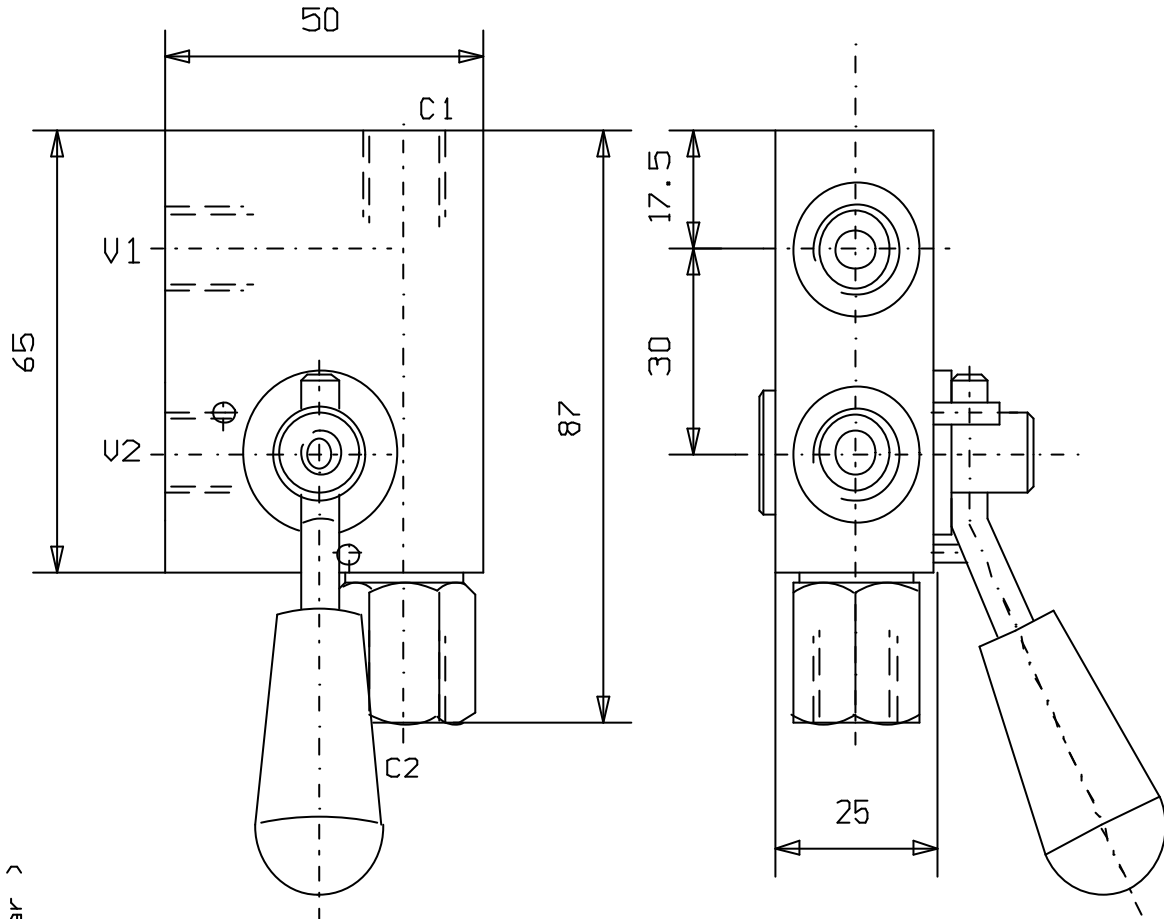
PILOT OPERATED CHECK VALVES, INTERNAL PILOT, OPERATED TYPE, SINGLE ACTING,
LINE MOUNTING, WITH MANUAL LEVER CONTROL (RH)

Tipo/Type:

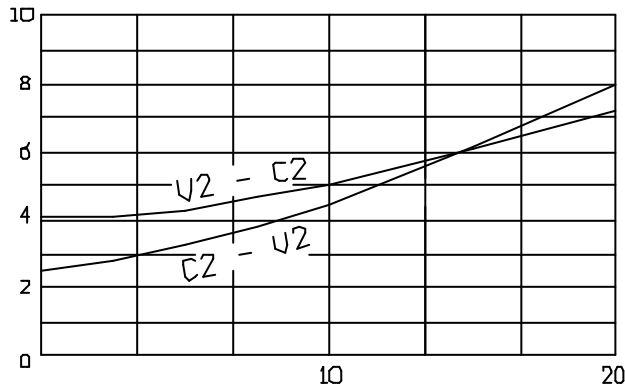
VUPR/D 14

1

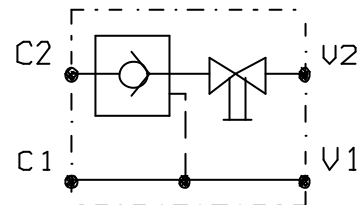
14.00



Pressione - Pressure Δp (Bar)



Portata - Flow Q (L/min)



U1 - C1 U2 - C2	Press. max. (Bar)	Apertura (Bar)	Rapp. pilot.
G 1/4	350	0.5 4	4.7:1



**VALVOLA DI BLOCCO PILOTATA SEMPLICE EFFETTO
IN LINEA CON RUBINETTO (SINISTRA)**

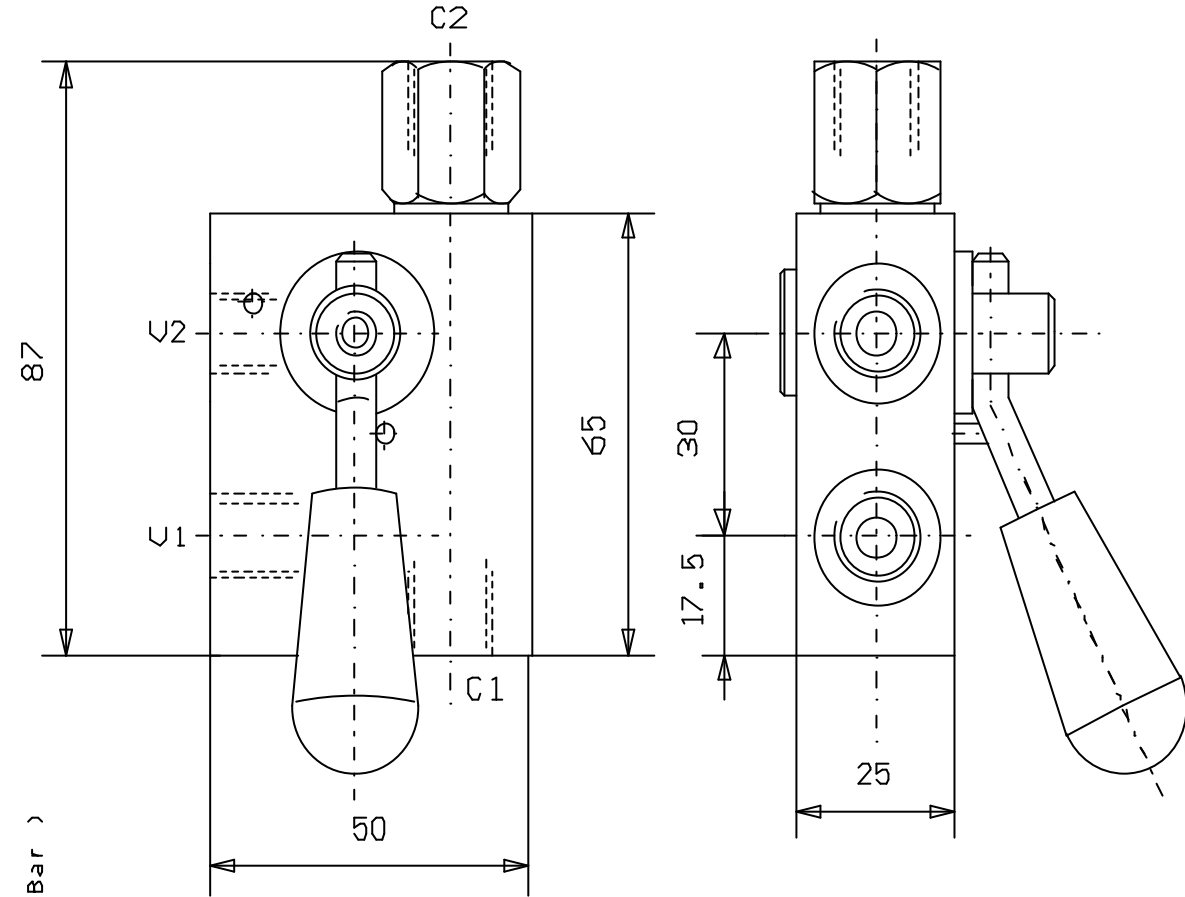
PILOT OPERATED CHECK VALVES, INTERNAL PILOT, OPERATED TYPE, SINGLE ACTING,
LINE MOUNTING, WITH MANUAL LEVER CONTROL (LH)

Tipo/Type:

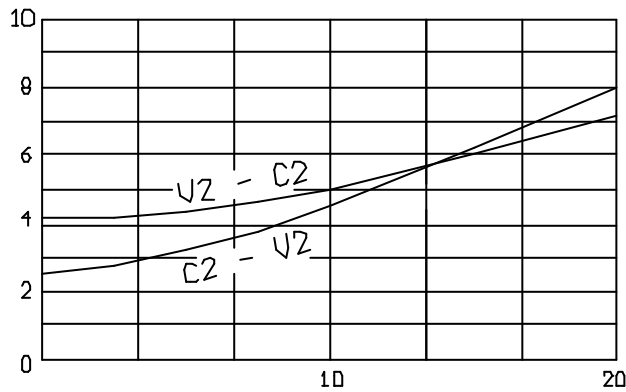
VUPR/S 14

1

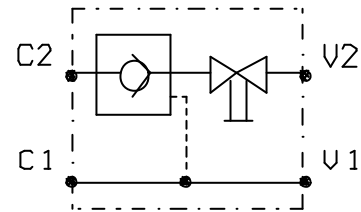
14.01



Pressione - Pressure Δp (Bar)



Portata - Flow Q (l/min)



V1 - C1 V2 - C2	Press. max. (Bar)	Apertura (Bar)	Rapp. pilot.
G 1/4	350	0.5 4	4.7:1



**VALVOLA DI BLOCCO PILOTATA SEMPLICE EFFETTO
IN LINEA CON RUBINETTO (DESTRA)**

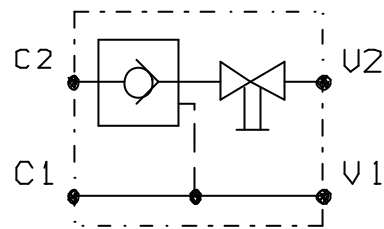
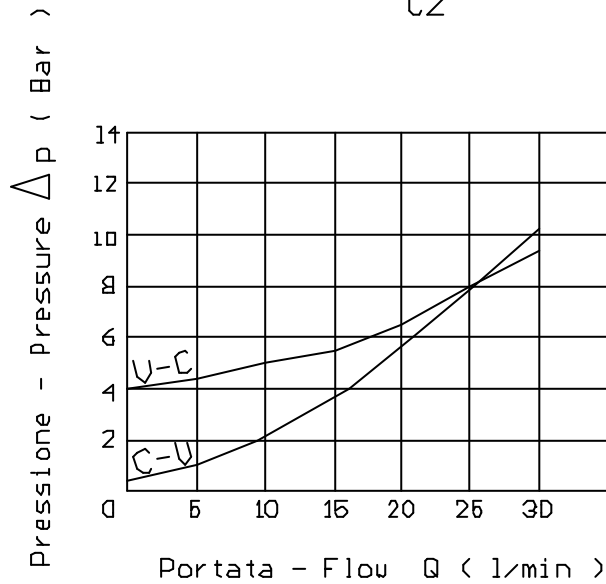
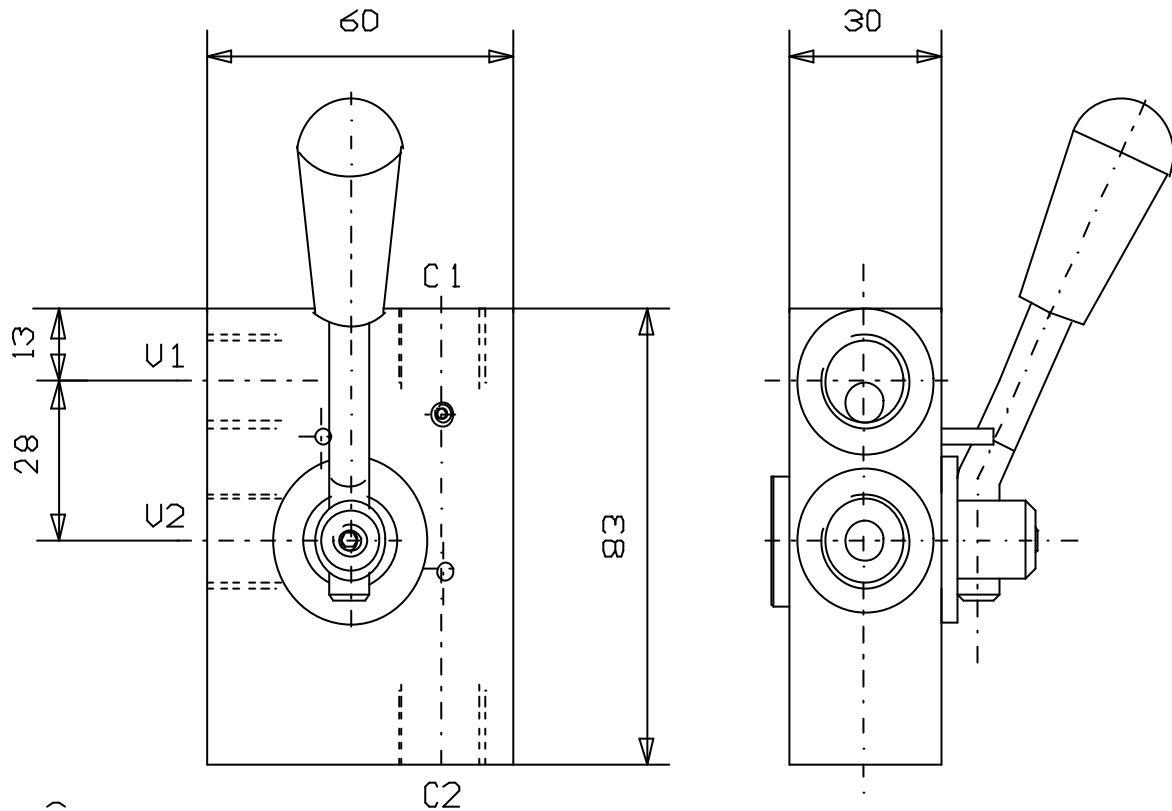
PILOT OPERATED CHECK VALVES, INTERNAL PILOT, OPERATED TYPE, SINGLE ACTING,
WITH MANUAL LEVER CONTROL (RH/LH), FACE MOUNTING

Tipo/Type:

VUPR/D 38

1

15.00



U1 - C1 U2 - C2	Press. max. (Bar)	Apertura (Bar)	Rapp. pilot.
G 3/8	350	0.5 4	4:1



**VALVOLA DI BLOCCO PILOTATA SEMPLICE EFFETTO
IN LINEA CON RUBINETTO (SINISTRA)**

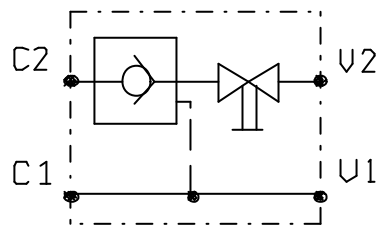
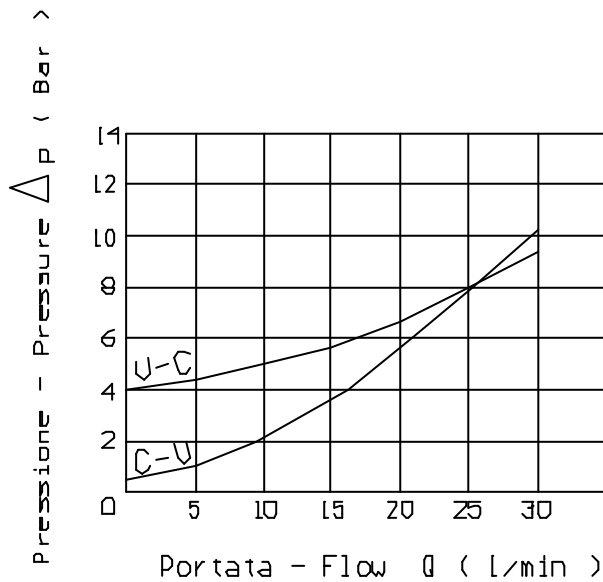
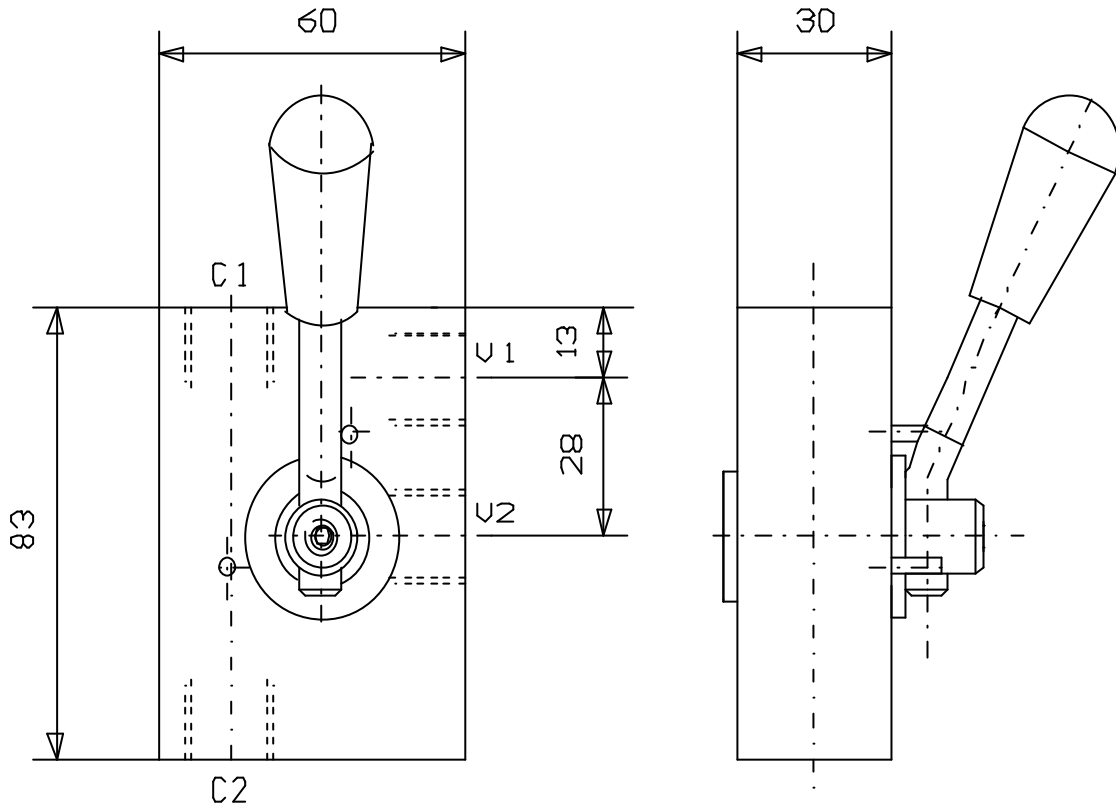
PILOT OPERATED CHECK VALVES, INTERNAL PILOT, OPERATED TYPE, SINGLE ACTING,
WITH MANUAL LEVER CONTROL (LH), FACE MOUNTING

Tipo/Type:

VUPR/S 38

1

15.01



U1 - C1 U2 - C2	Press. max. (Bar)	Apertura (Bar)	Rapp. pilot.
G 3/8	350	0,5 4	4:1



**VALVOLA DI BLOCCO PILOTATA SEMPLICE EFFETTO
IN LINEA CON RUBINETTO (DX) E RIDUZIONI**

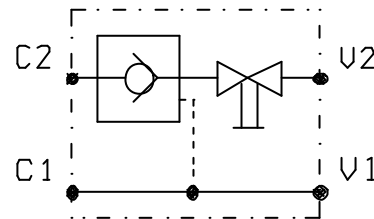
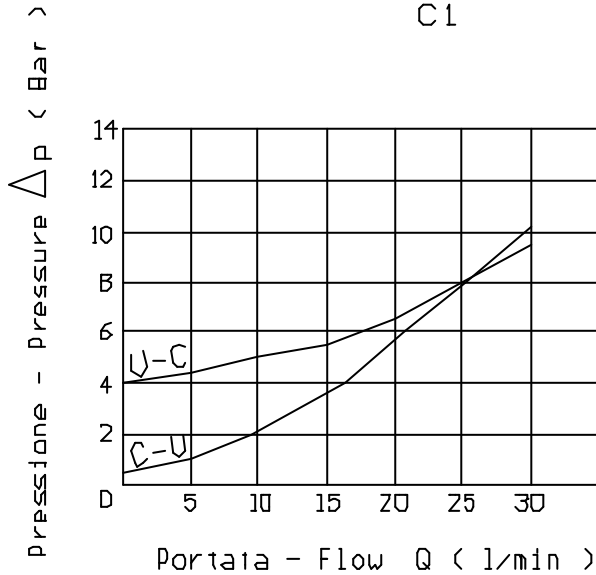
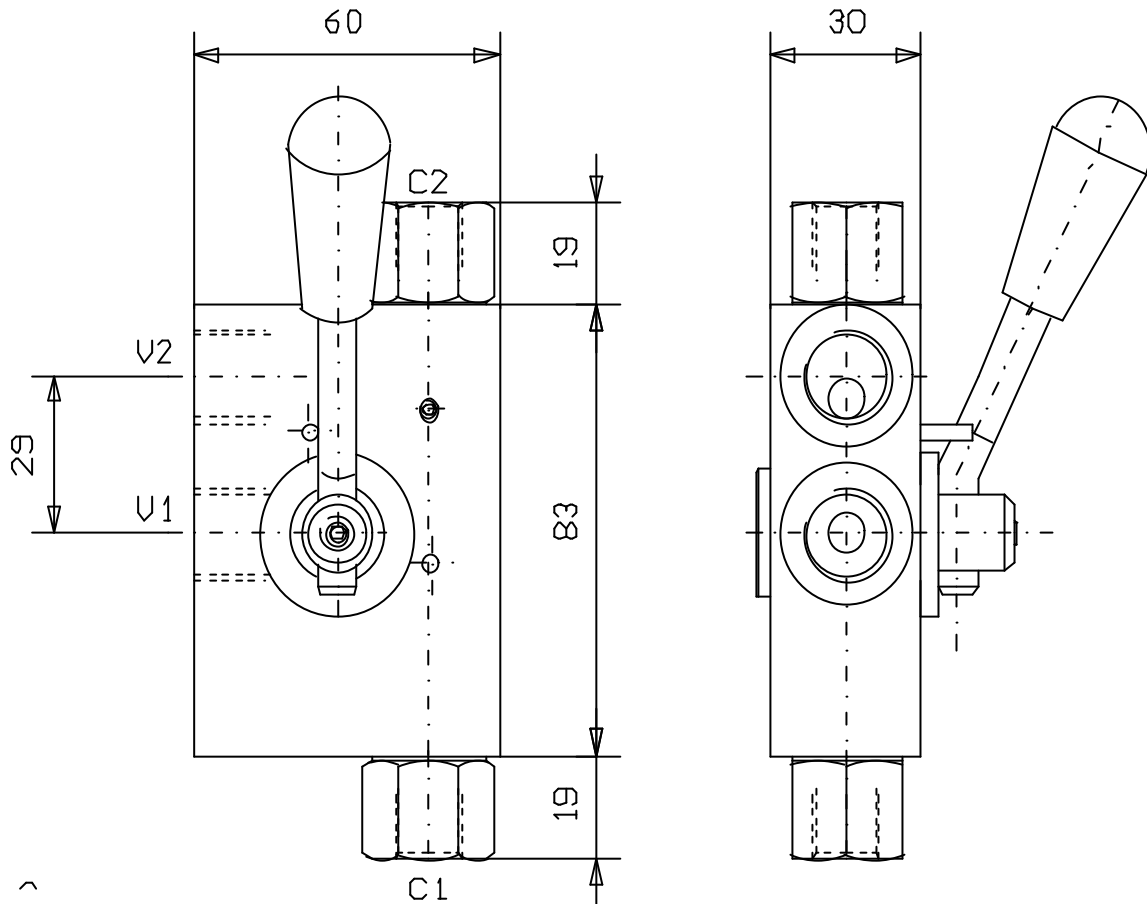
PILOT OPERATED CHECK VALVES, INTERNAL PILOT, OPERATED TYPE, SINGLE ACTING,
WITH MANUAL LEVER CONTROL (RH/LH), FACE MOUNTING

Tipo/Type:

VUPR/D R14

1

16.00



U1 - U2	C1 - C2	Press. max. (Bar)	Apertura (Bar)	Rapp. pilot.
G 3/8	G 1/4	350	0.5 4	4:1



**VALVOLA DI BLOCCO PILOTATA SEMPLICE EFFETTO
IN LINEA CON RUBINETTO (SX) E RIDUZIONI**

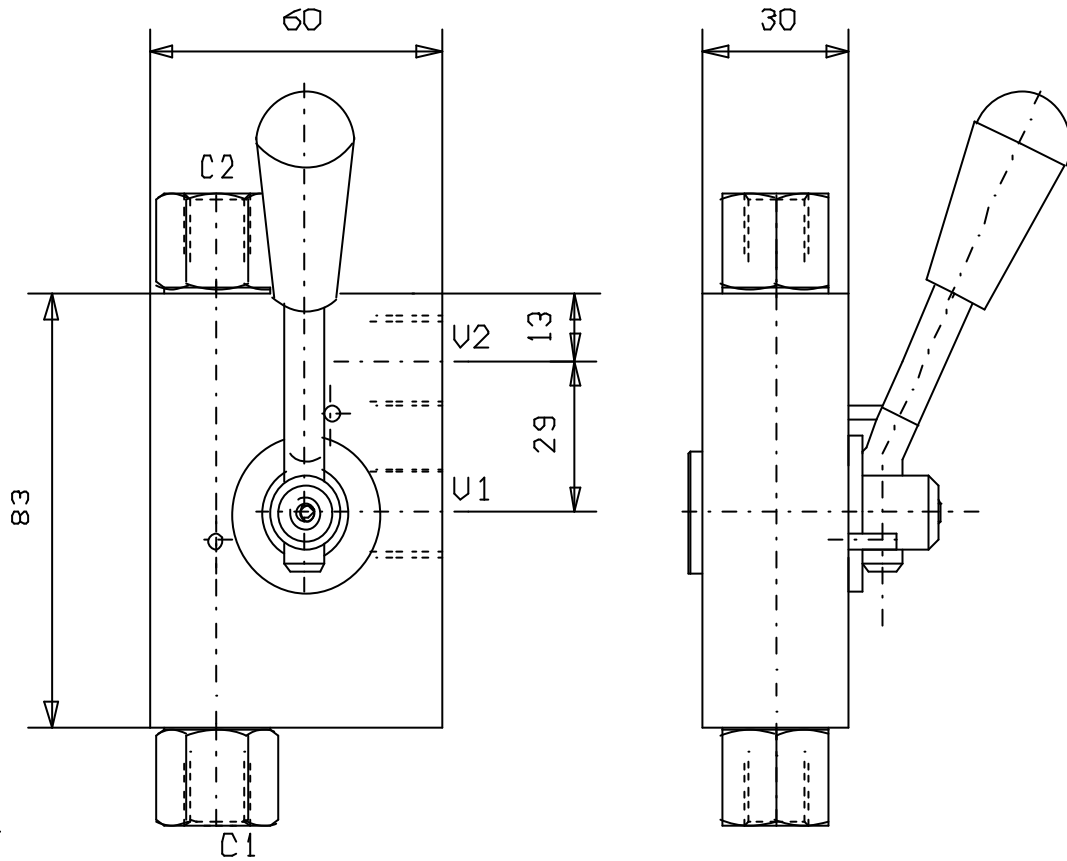
PILOT OPERATED CHECK VALVES, INTERNAL PILOT, OPERATED TYPE, SINGLE ACTING,
LINE MOUNTING, WITH MANUAL LEVER CONTROL (LH) AND PORT REDUCTIONS

Tipo/Type:

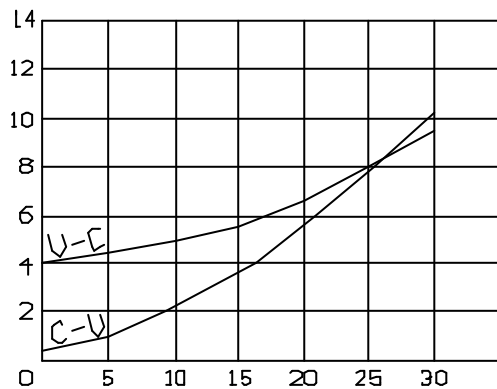
VUPR/S R14

1

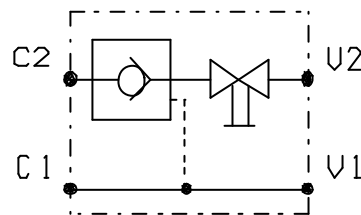
16.01



Pressiane - Pressure Δp (Bar)



Portata - Flow Q (l/min)



U1 - U2	C1 - C2	Press. max. (Bar)	Apertura (Bar)	Rapp. pilot.
G 3/8	G 1/4	350	0.5 4	4:1



**VALVOLA DI BLOCCO PILOTATA DOPPIO EFFETTO
IN LINEA CON RUBINETTO (DESTRA)**

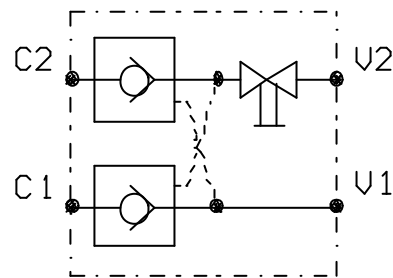
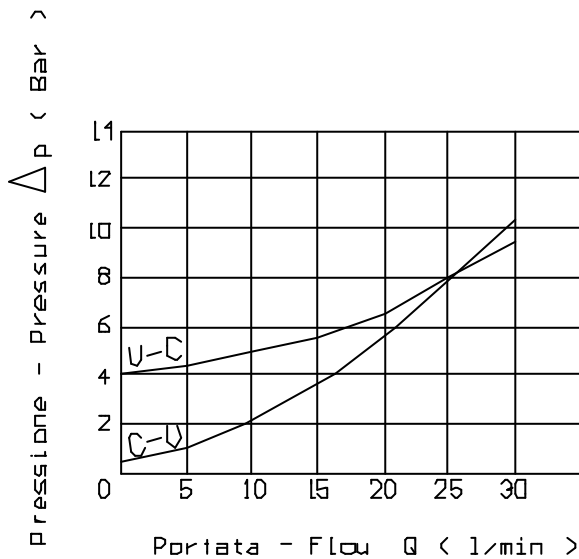
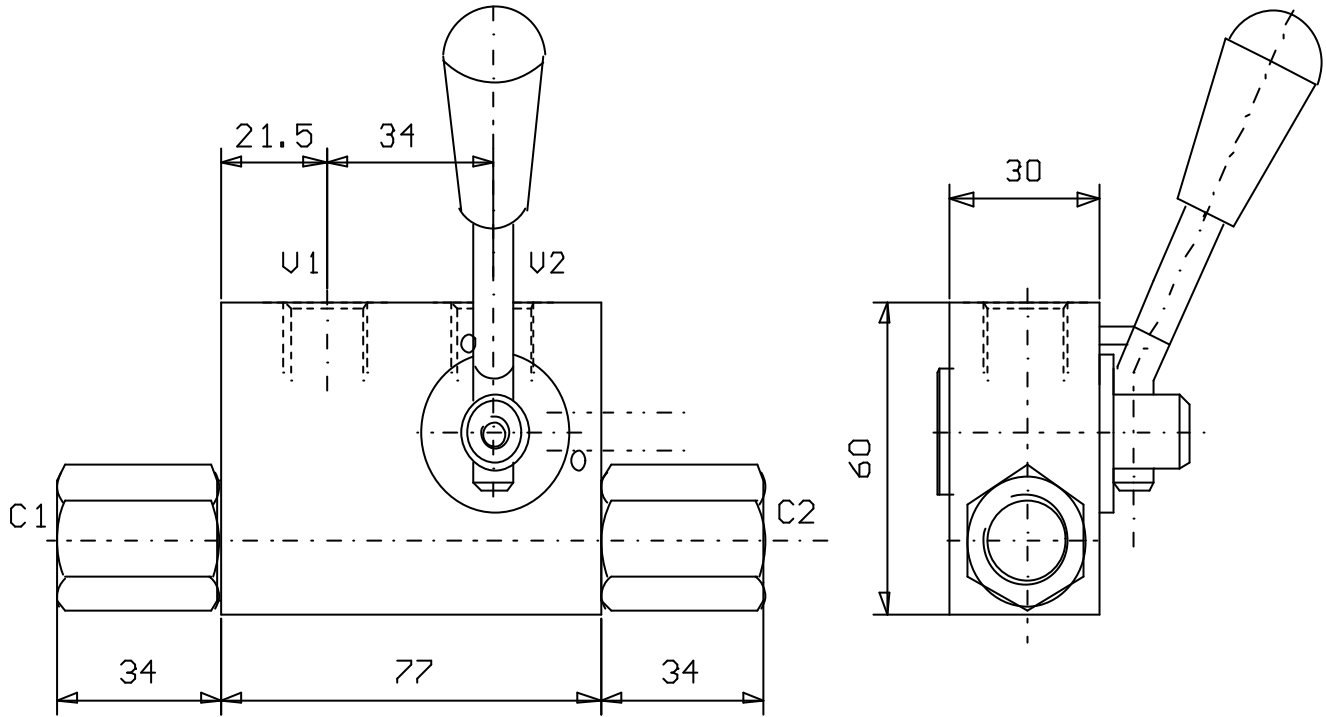
PILOT OPERATED CHECK VALVES, INTERNAL PILOT, OPERATED TYPE, DOUBLE ACTING,
LINE MOUNTING, WITH MANUAL LEVER CONTROL (RH)

Tipo/Type:

VUPR/DE/D 38

1

17.00



U1 - C1 U2 - C2	Press. max. (Bar)	Apertura (Bar)	Rapp. pilot.
G 3/8	350	0.5 4	4:1



**VALVOLA DI BLOCCO PILOTATA DOPPIO EFFETTO
IN LINEA CON RUBINETTO (SINISTRA)**

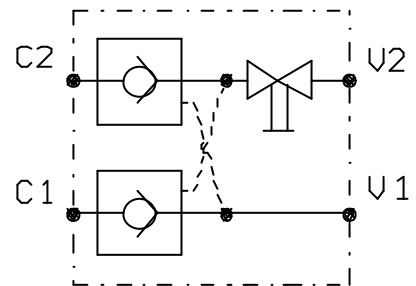
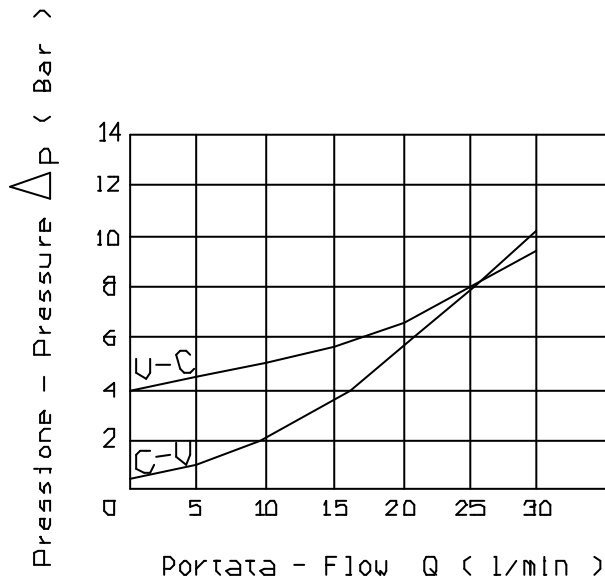
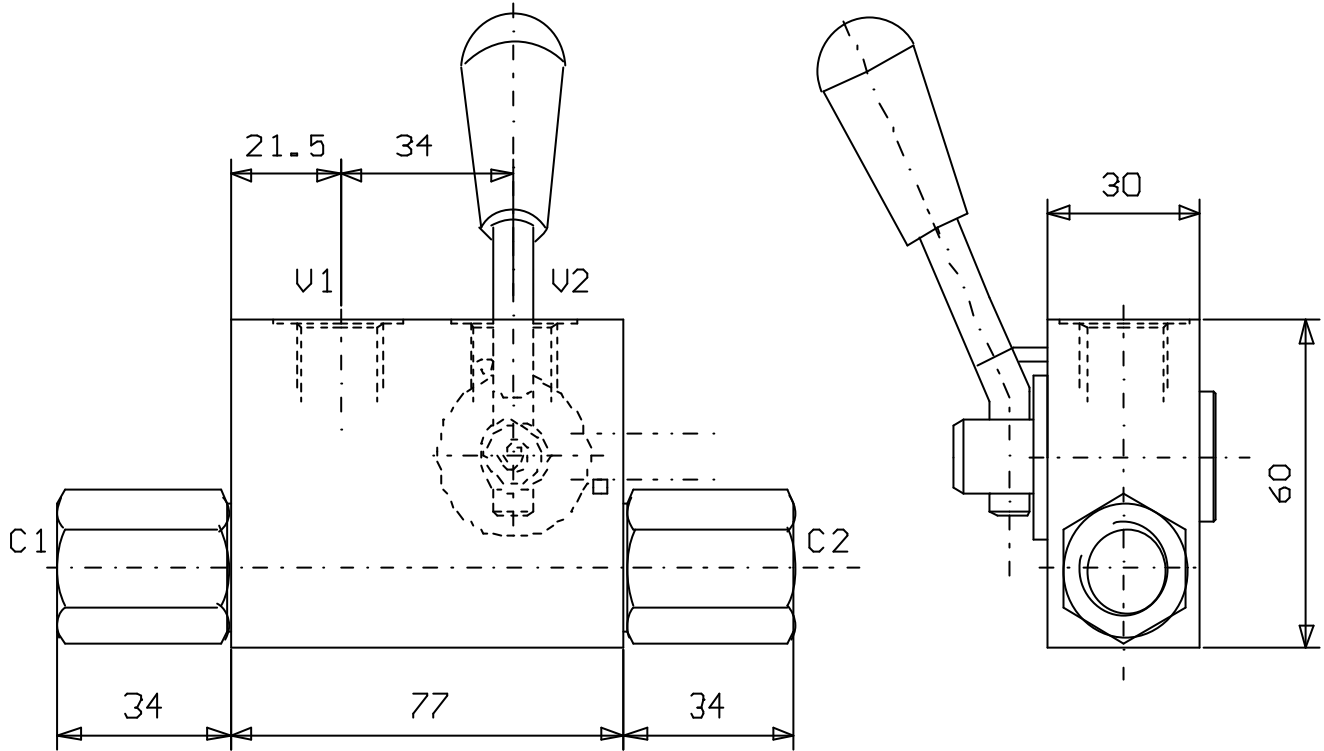
PILOT OPERATED CHECK VALVES, INTERNAL PILOT, OPERATED TYPE, DOUBLE ACTING,
LINE MOUNTING, WITH MANUAL LEVER CONTROL (LH)

Tipo/Type:

VUPR/DE/S 38

1

17.01



U1 - C1 U2 - C2	Press. max. (Bar)	Apertura (Bar)	Rapp. pilot.
G 3/8	350	0.5 4	4:1



**VALVOLA DI BLOCCO PILOTATA SEMPLICE EFFETTO
FLANGIATA CON RUBINETTO (DESTRA)**

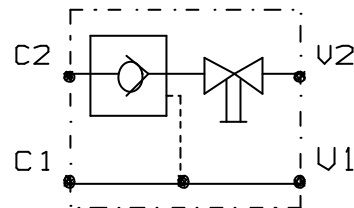
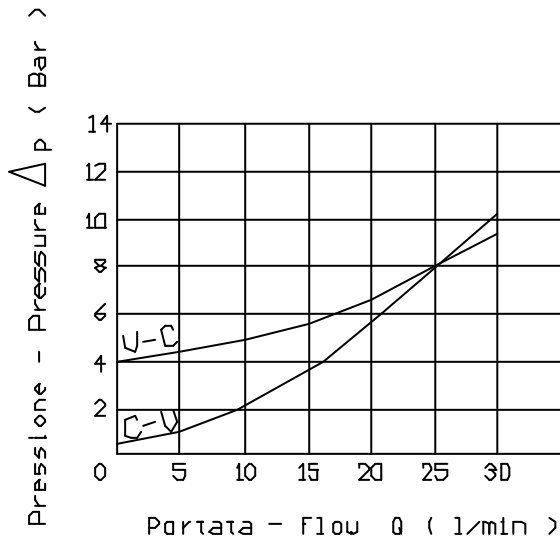
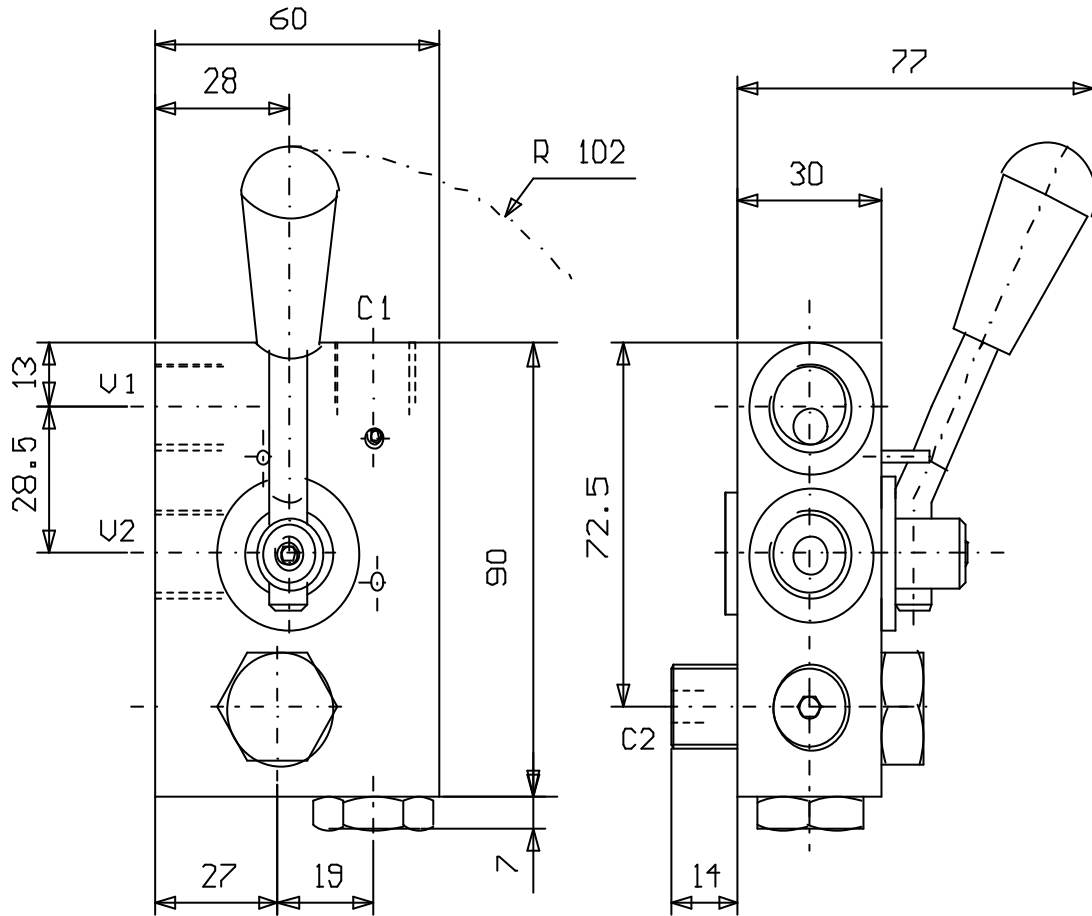
PILOT OPERATED CHECK VALVES, INTERNAL PILOT, OPERATED TYPE, SINGLE ACTING,
FACE MOUNTING, WITH MANUAL LEVER CONTROL (RH)

Tipo/Type:

VUPR/FL/D 38

1

18.00



V1 - C1 V2 - C2	Press. max. < Bar >	Apertura < Bar >	Rapp. pilot.
G 3/8	350	0.5 4	4:1



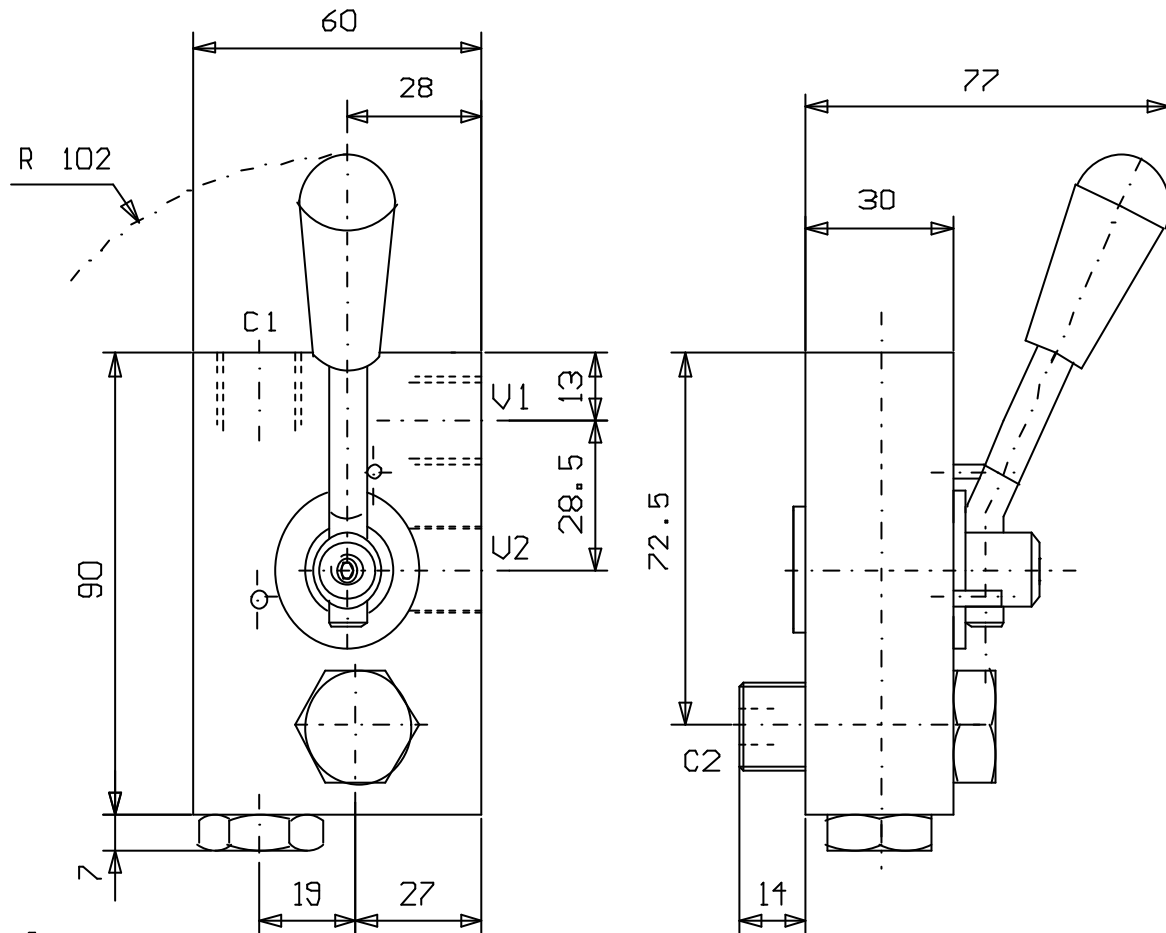
VALVOLA DI BLOCCO PILOTATA SEMPLICE EFFETTO
FLANGIATA CON RUBINETTO (SINISTRA)

PILOT OPERATED CHECK VALVES, INTERNAL PILOT, OPERATED TYPE, SINGLE ACTING,
FACE MOUNTING, WITH MANUAL LEVER CONTROL (LH)

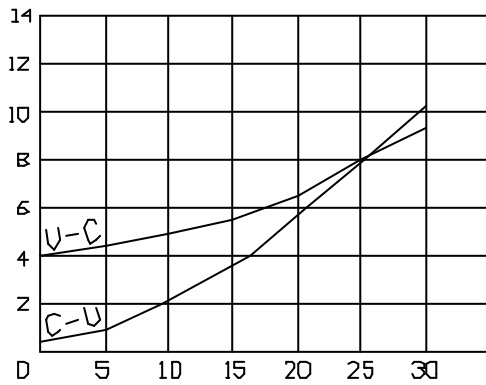
Tipo/Type: VUPR/FL/S 38

1

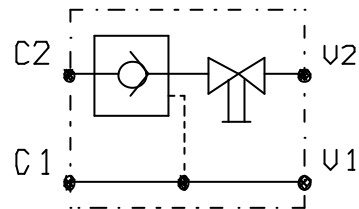
18.01



Pressione - Pressura ΔP (Bar)



Portata - Flow Q (L/min)



U1 - C1 U2 - C2	Press. max. (Bar)	Apertura (Bar)	Rapp. pilot.
G 3/8	350	0.5 4	4:1



**VALVOLA DI BLOCCO PILOTATA SEMPLICE EFFETTO
CON RUBINETTO DESTRA/SINISTRA FLANGIABILE**

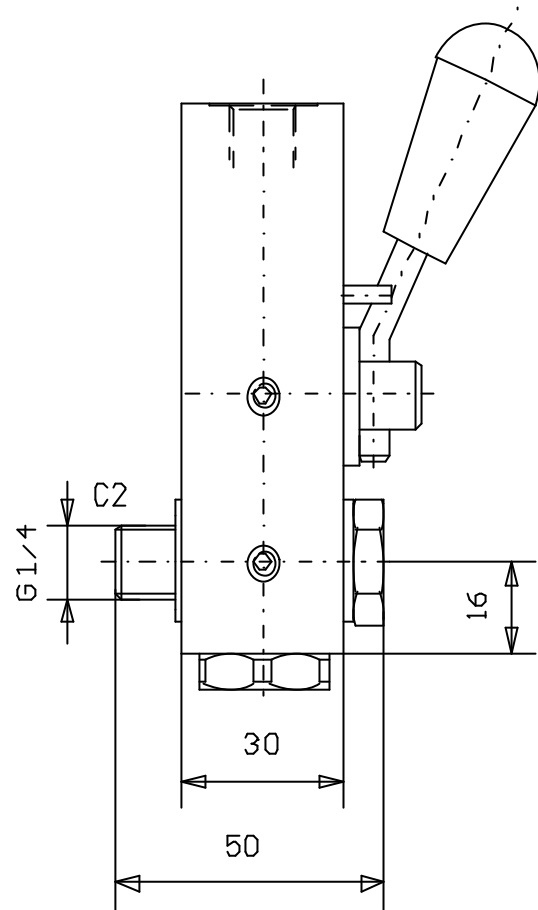
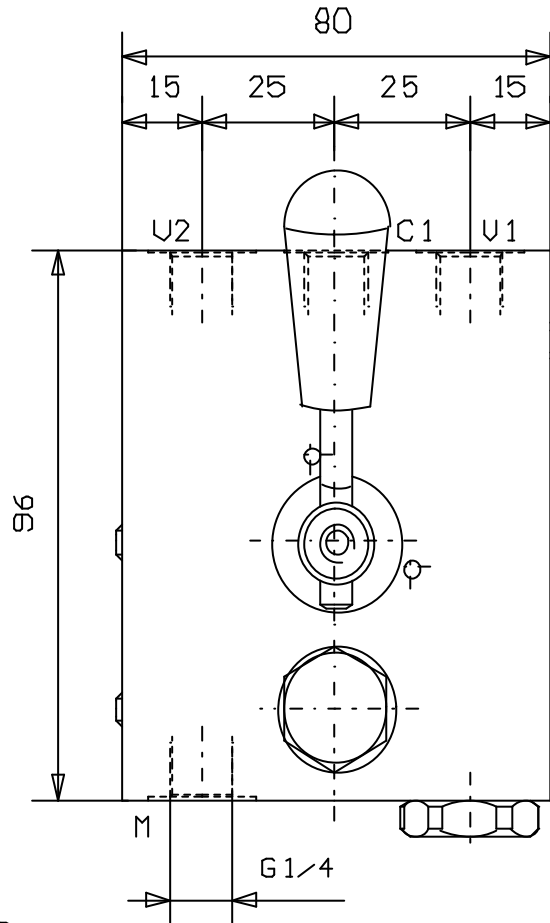
PILOT OPERATED CHECK VALVES, INTERNAL PILOT, OPERATED TYPE, SINGLE ACTING,
WITH MANUAL LEVER CONTROL (RH/LH), FACE MOUNTING

Tipo/Type:

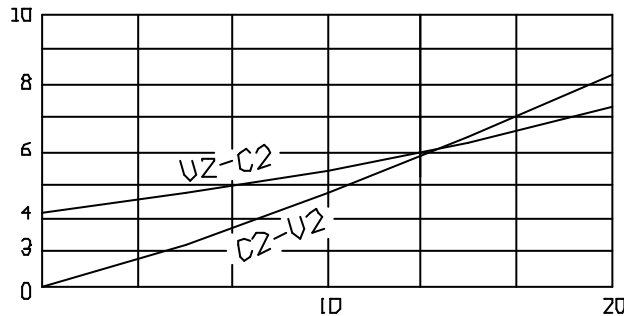
VUPR/SE/FL 14

1

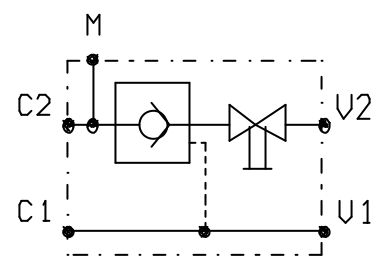
19.00



Pressione - Pressure Δp (Bar)



Portata - Flow Q (l/min)



U1 - C1 V2 - C2	Press. max. (Bar)	Apertura (Bar)	Rapp. pilot.
G 1/4	300	4	4.6:1



VALVOLA DI BLOCCO PILOTATA DOPPIO EFFETTO
IN LINEA

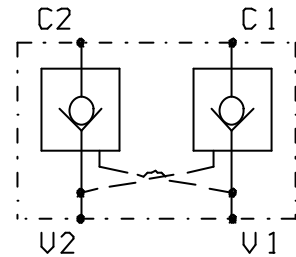
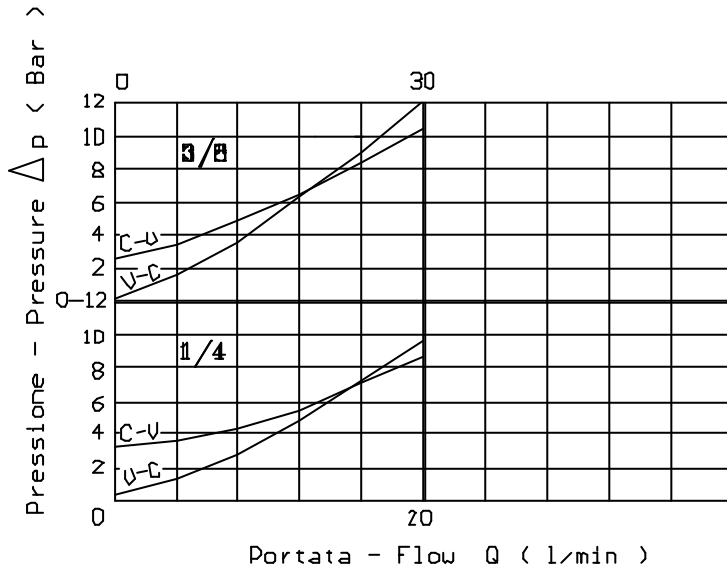
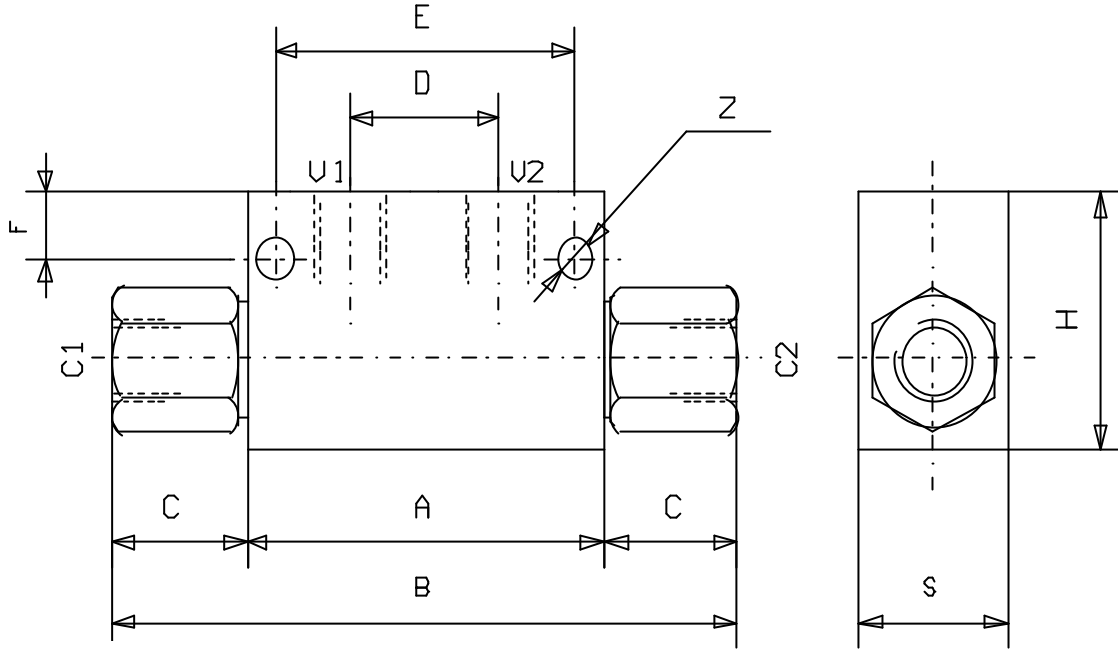
PILOT OPERATED CHECK VALVES, INTERNAL PILOT, OPERATED TYPE, DOUBLE ACTING,
LINE MOUNTING

Tipo/Type:

OVRPDL

1

20.00



Press. max (Bar)
350

CODICE	U1 - C1 U2 - C2	A	B	C	D	E	F	H	S	Z	Rapp. pilot.
OVRPDL 14	G 1/4	60	104	22	25	50	10	40	25	5.5	4.7:1
OVRPDL 38	G 3/8	77	144	33.5	32.5	62	12	50	30	6.5	4:1



VALVOLA DI BLOCCO PILOTATA DOPPIO EFFETTO
IN LINEA

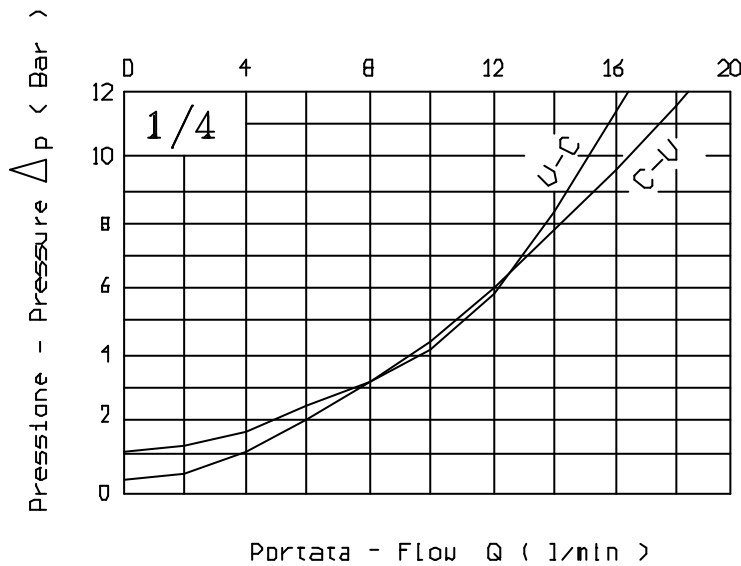
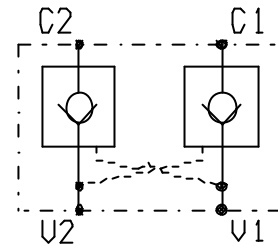
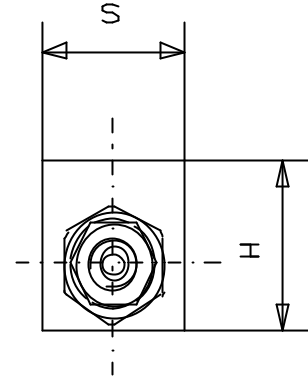
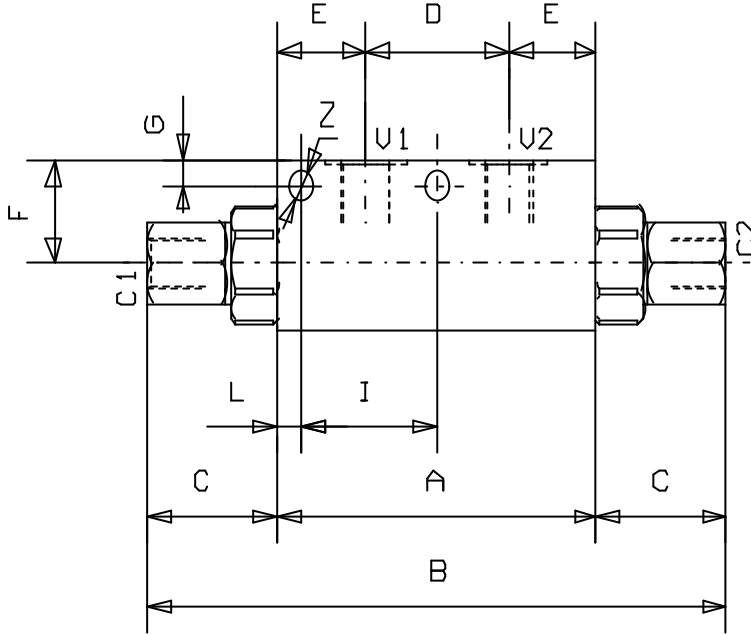
PILOT OPERATED CHECK VALVES, INTERNAL PILOT, OPERATED TYPE, DOUBLE ACTING,
LINE MOUNTING

Tipo/Type:

VRP/DE/L 14

1

21.00



Press. max.
(Bar)
350

A richiesta
On request
Rapp. pilot.
VRP/DE/L 14 4:1

CODICE	U1-C1 U2-C2	A	B	C	D	E	F	G	H	I	L	S	Z	Rapp. pilot.
VRP/DE/L 14	B 1/4	80	145	32.5	36	22	24	6	40	34	6	35	6.5	4:1



VALVOLA DI BLOCCO PILOTATA DOPPIO EFFETTO
IN LINEA

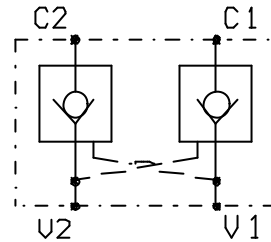
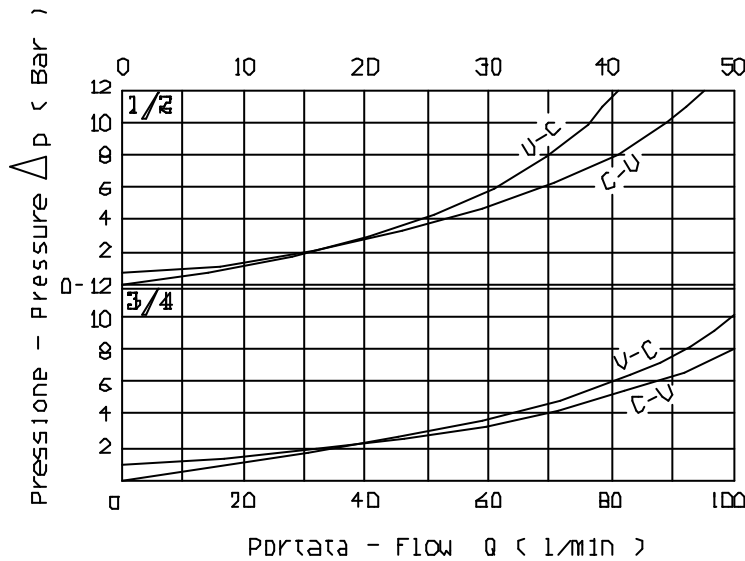
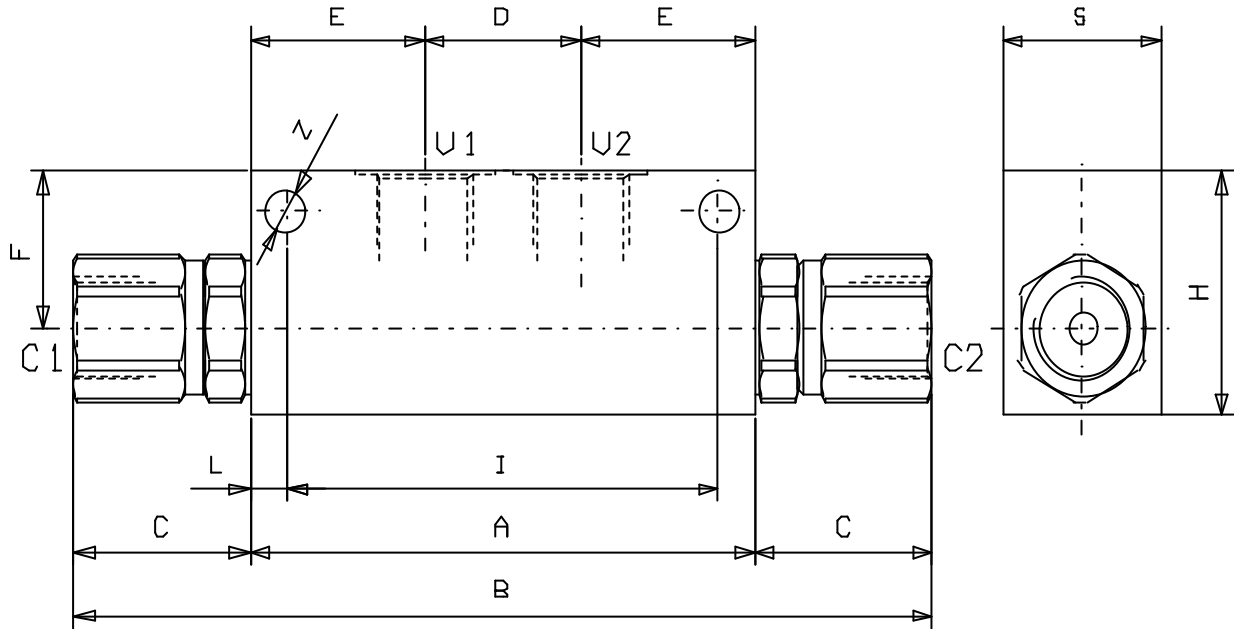
PILOT OPERATED CHECK VALVES, INTERNAL PILOT, OPERATED TYPE, DOUBLE ACTING,
LINE MOUNTING

Tipo/Type:

VRP/DE/L

1

21.01



Press. max.
(Bar)
350

A richiesta
On request
Rapp. pilot.
VRP/DE/L 120 3.2:1

CODICE	U1-C1 U2-C2	A	B	C	D	E	F	G	H	I	L	S	Z	Rapp. p1101.
VRP/DE/L 120	G 1/2	110	187	38.5	34	38	32	8	50	94	8	35	8.5	6:1
VRP/DE/L 340	G 3/4	165	279	57	50	57.5	45	10	70	145	10	50	10.5	3.6:1



VALVOLA DI BLOCCO PILOTATA DOPPIO EFFETTO
IN LINEA ED ATTACCHI CONTRAPPOSTI

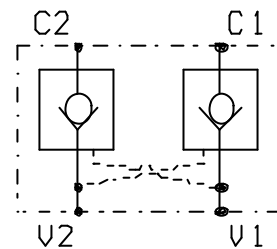
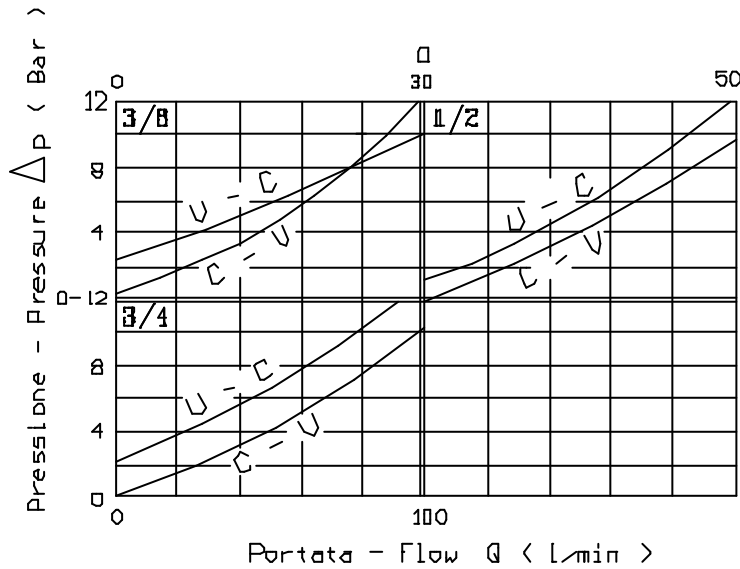
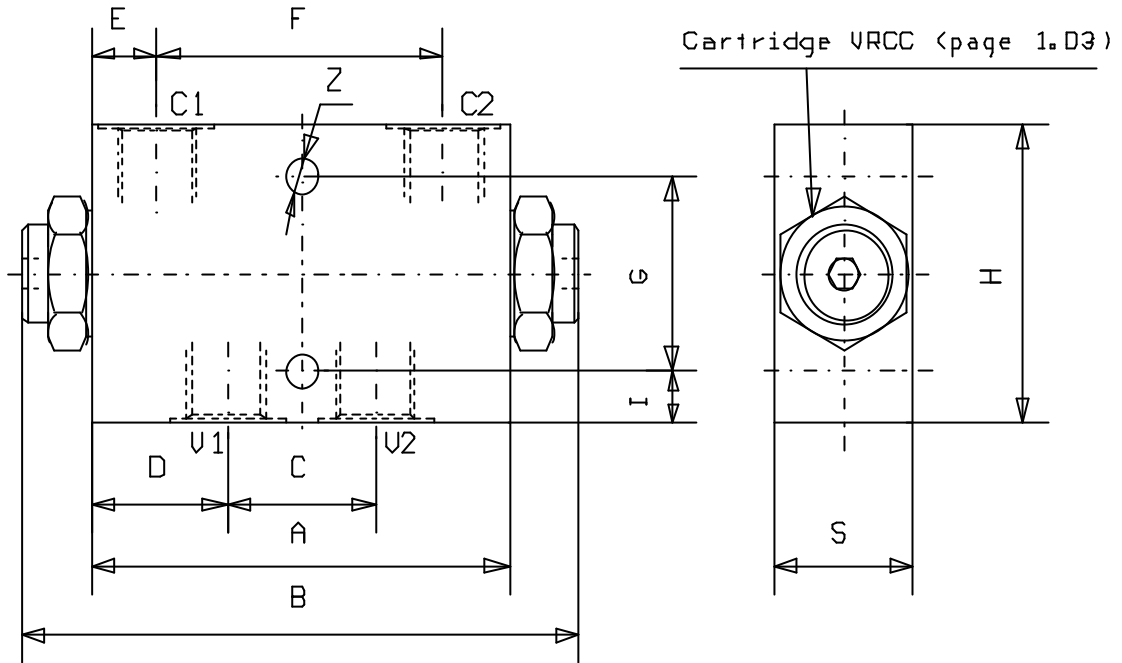
PILOT OPERATED CHECK VALVES, INTERNAL PILOT, OPERATED TYPE, DOUBLE ACTING,
LINE MOUNTING, THROUGH PORTED

Tipo/Type:

VRPD/C

1

22.00



Press. max.
(Bar)
350

CODICE	V1-C1 V2-C2	A	B	C	D	E	F	G	H	I	S	Z	Rapp. pilot.
VRPD/C 30	G 3/8	90	120	32	29	14	62	40	60	10	30	6.5	7.1:1
VRPD/C 120	G 1/2	110	140	34	38	20.5	69	40	70	15	35	8.5	3.2:1
VRPD/C 340	G 3/4	165	220	50	57.5	30	105	60	90	15	50	8.5	4:1



**VALVOLA DI BLOCCO PILOTATA DOPPIO EFFETTO
FLANGIABILE**

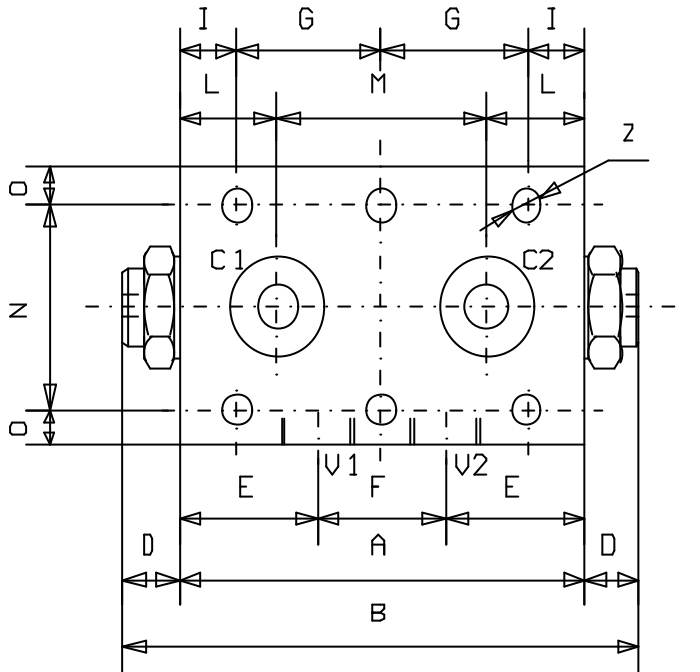
PILOT OPERATED CHECK VALVES, INTERNAL PILOT, OPERATED TYPE, DOUBLE ACTING,
FACE MOUNTING

Tipo/Type:

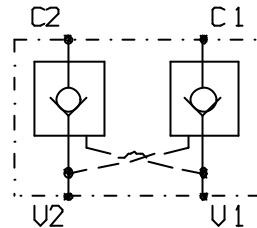
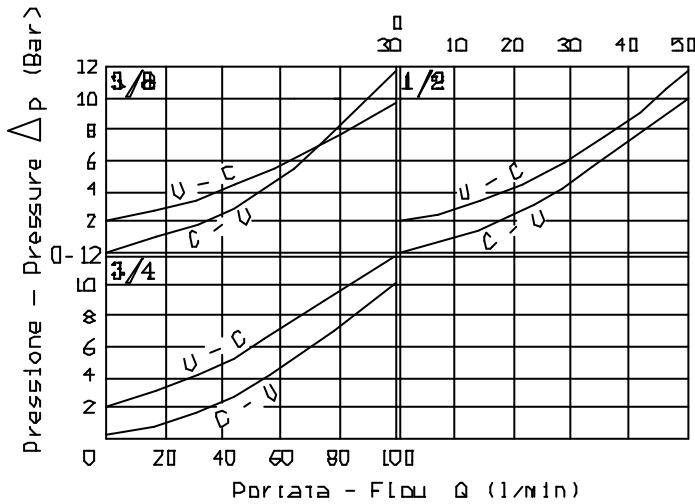
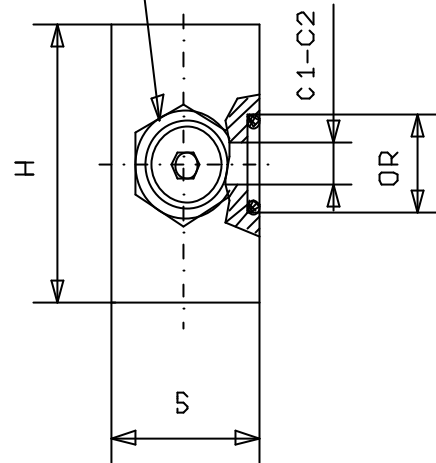
VRPD/AF

1

23.00

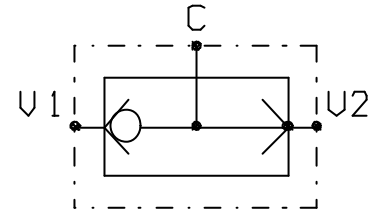
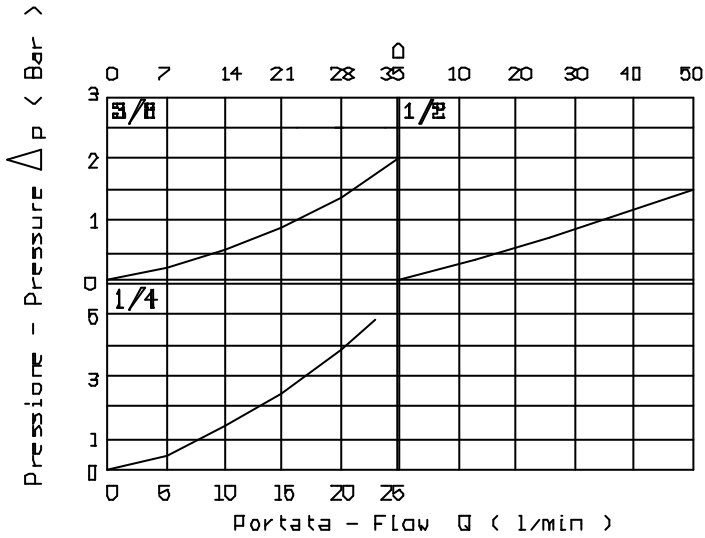
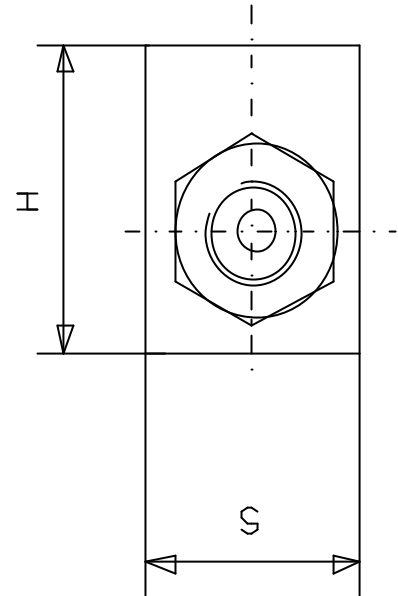
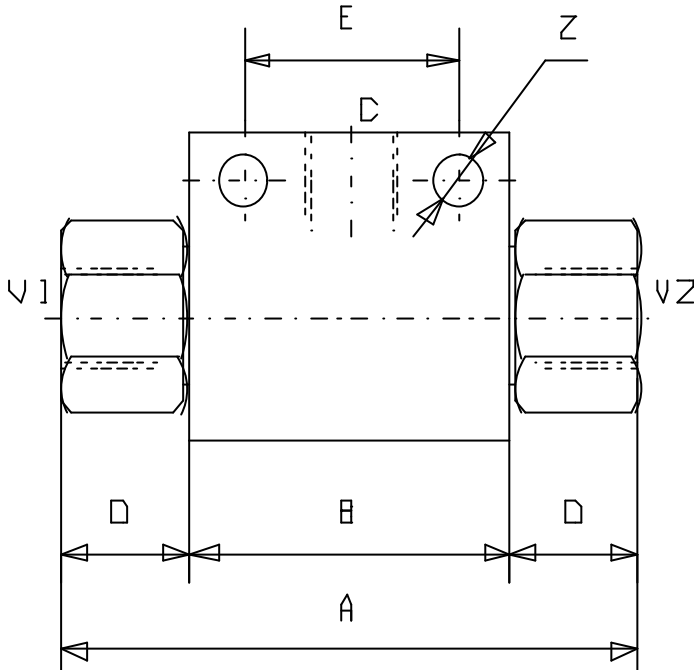


Cartridge VRCC (page 1.03)



Press. max.
(Bar)
350

CODICE	U1 U2	C1 C2	A	B	D	E	F	G	H	I	L	M	N	O	S	Z	OR	Rapp. P11D1.	
VRPD/AF 38	G 3/8	6	90	120	15	29	32	35	60	10	14	62	40	10	34	6.5	30	37	7.1:1
VRPD/AF 120	G 1/2	10	110	140	15	38	34	40	70	15	22.5	65	40	15	34	8.5	30	62	3.2:1
VRPD/AF 340	G 3/4	14	165	220	27.5	57.5	50	67.5	90	15	30	105	50	20	49	10.5	40	75	4:1



CODICE	$U1 - U2$ C	A	B	D	E	H	S	Z	Press. max (Bar)
SVBT 14	G 1/4	81	40	18	30	40	20	6.0	350
SVBT 38	G 3/8	81	45	18	30	40	25	6.5	350
SVBT 120	G 1/2	118	66	26	52	50	35	8.5	300



VALVOLA SELETRICE

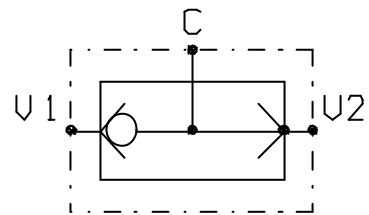
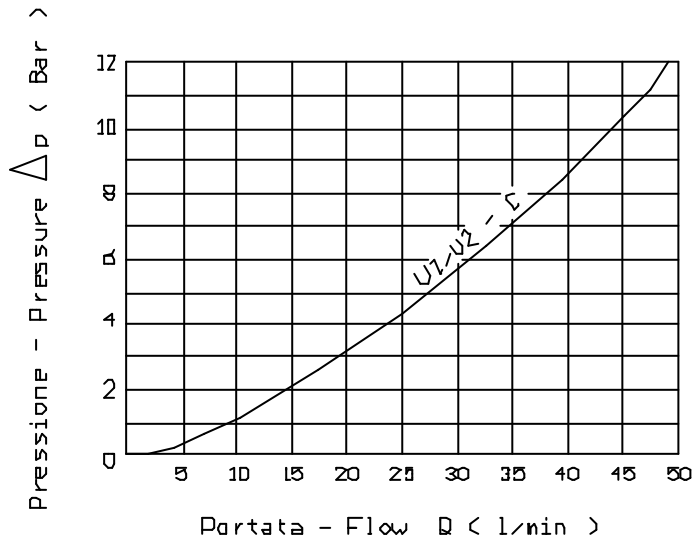
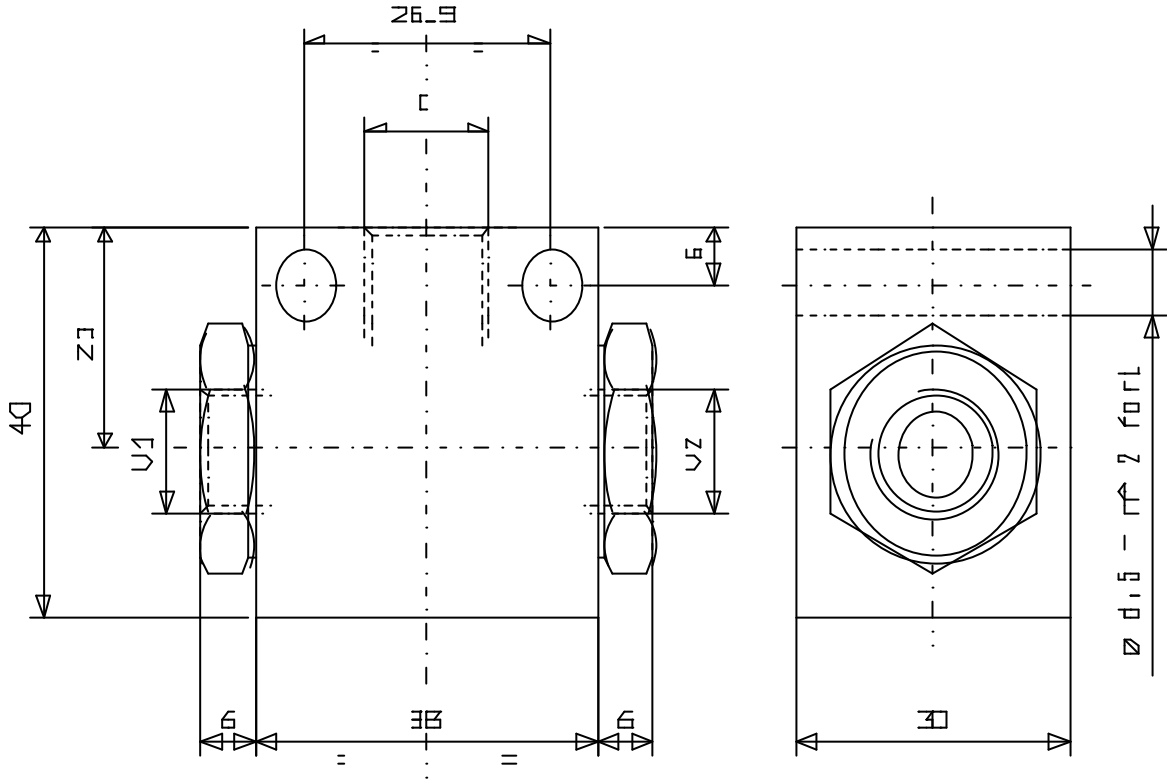
SHUTTLE VALVES, BALL TYPE

Tipo/Type:

SVBT/OC 14

1

24.10



Attacchi V1-V2-C
G 1/4

Press. max (Bar)
350



VALVOLA SELETRICE

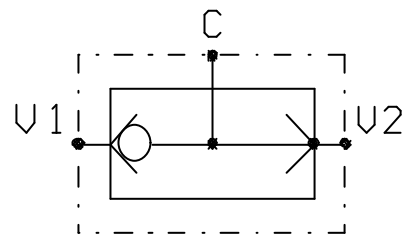
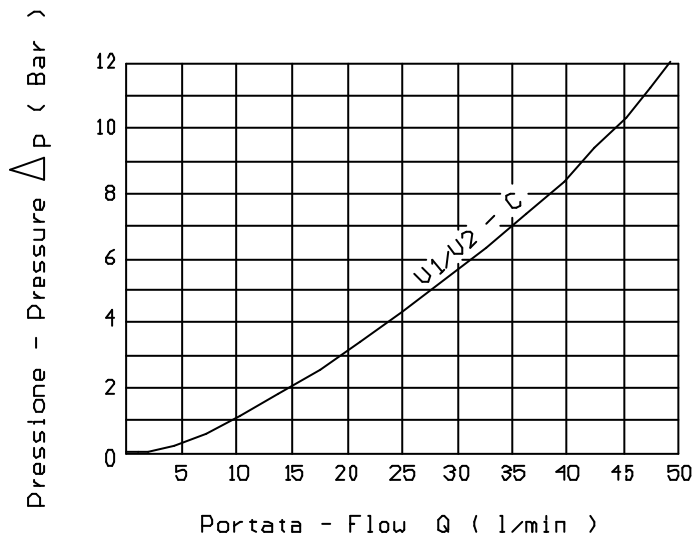
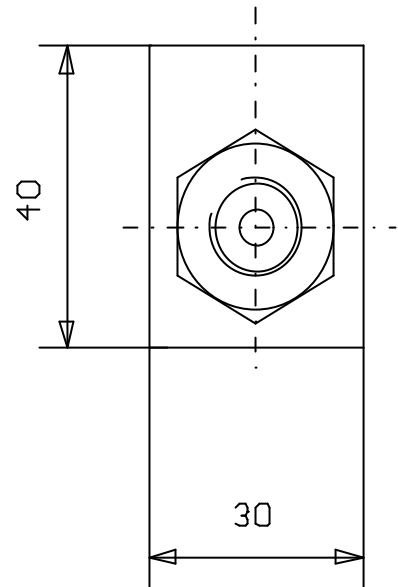
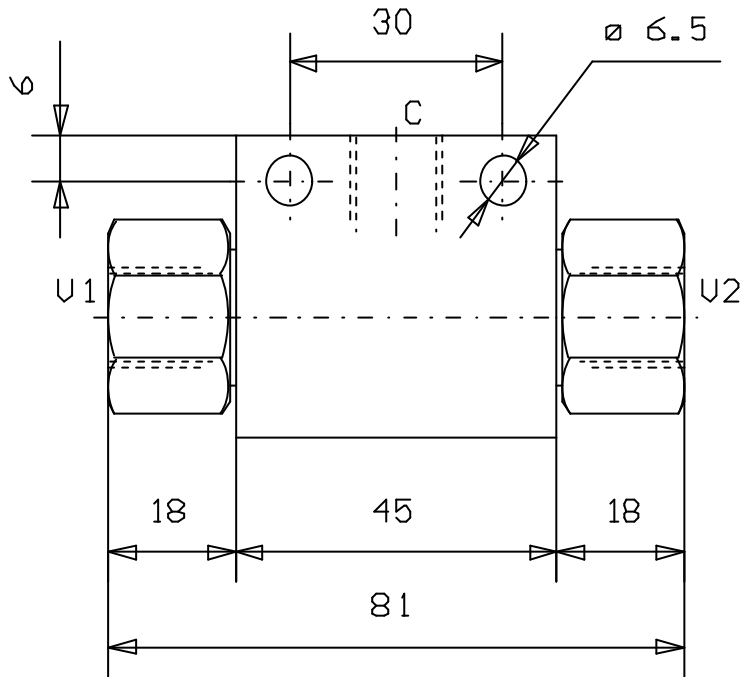
SHUTTLE VALVES, BALL TYPE

Tipo/Type:

SVBT/AP 14

1

24.11

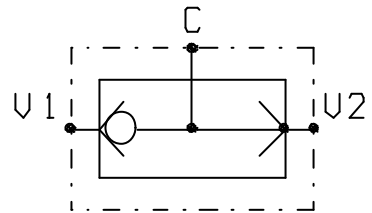
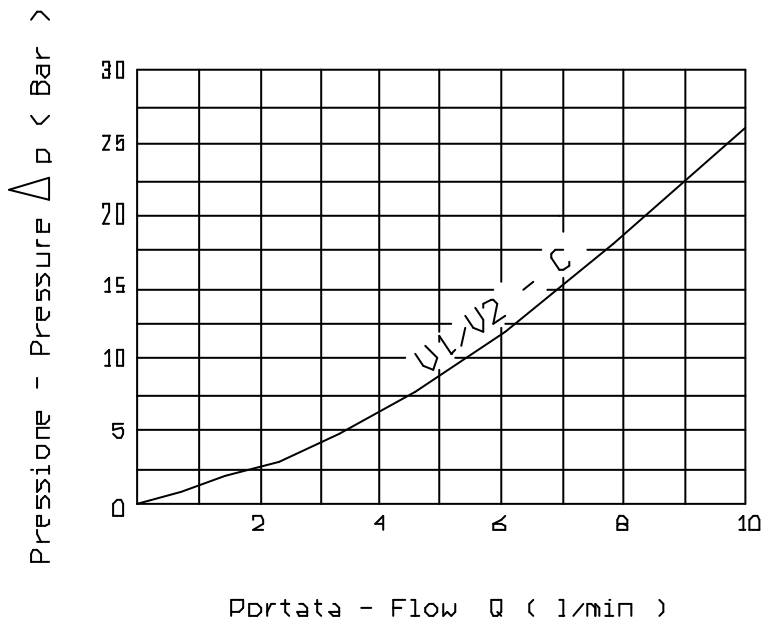
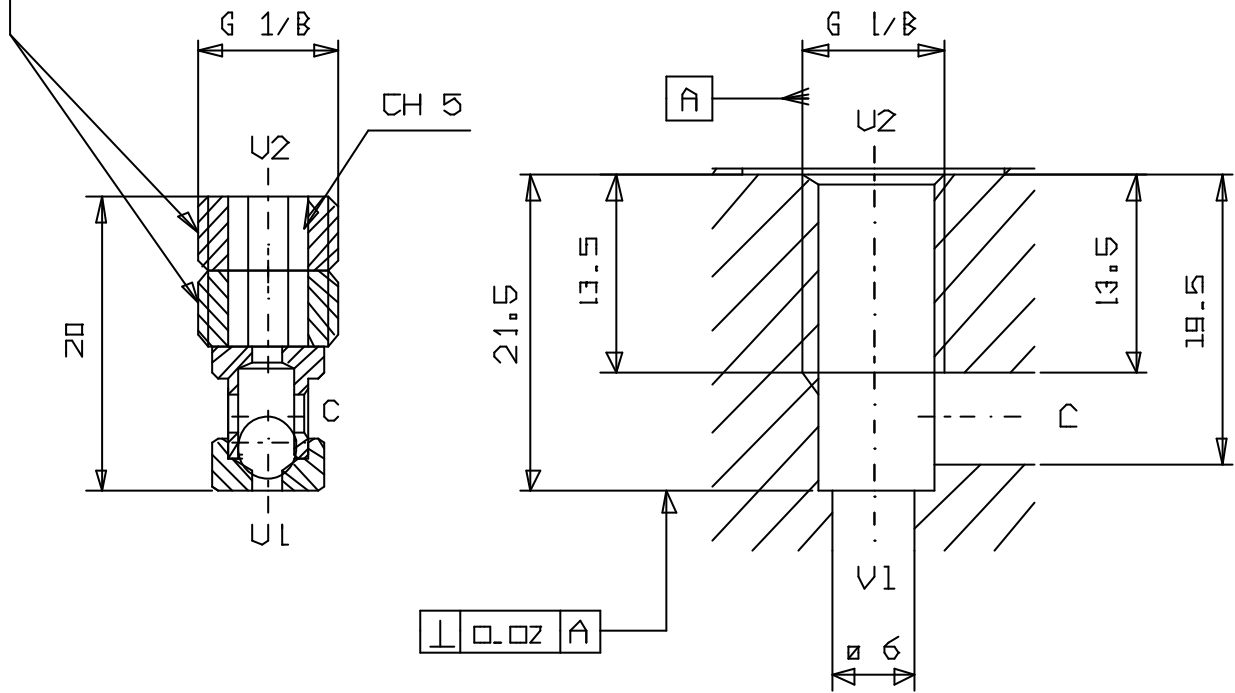


Collettore in acciaio
Steel body

ATTACCHI	
V1 - C1	G 1/4
C	

Press. max (Bar)
420

Assemblare con "LOCTITE 242"
 Assemble with "LOCTITE 242"

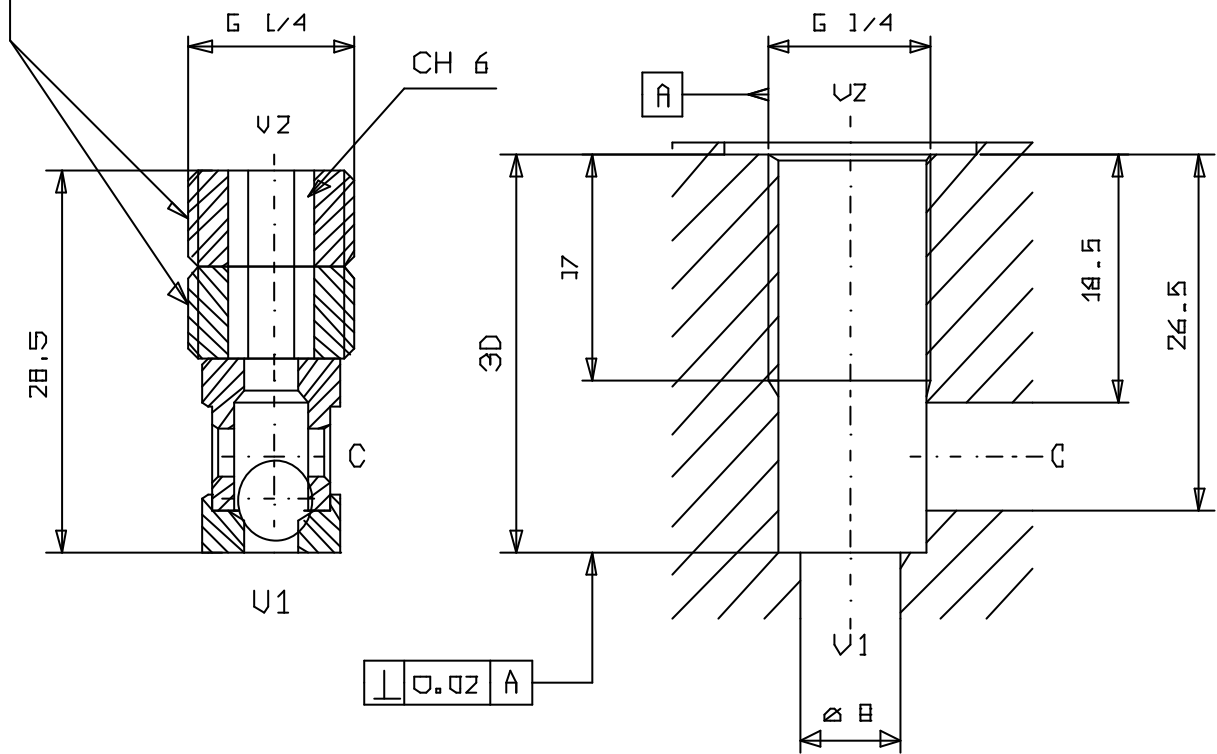


Press. max (Bar)
350

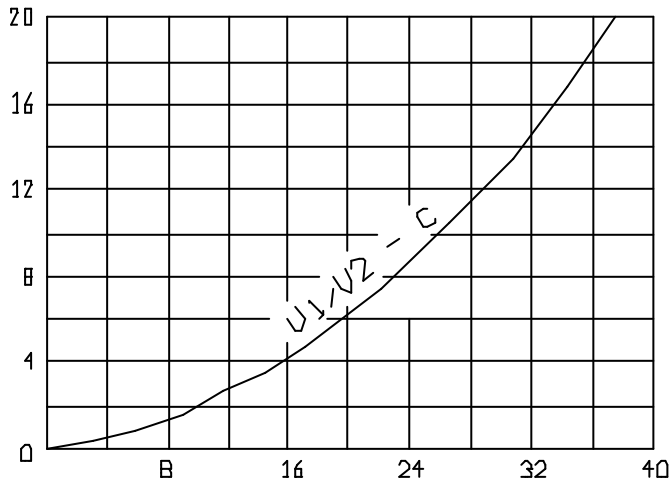
Portata max. (l/min)
10

Assemblare con "LOCTITE 242"

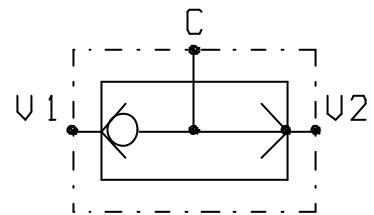
Assemble with "LOCTITE 242"



Pressione - Pressure Δp (Bar)



Portata - Flow Q (l/min)



Press. max (Bar)
350

Portata max. (l/min)
36



VALVOLA DI BLOCCO PER TUBI (PARACADUTE)

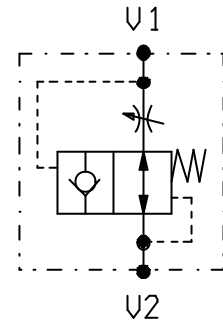
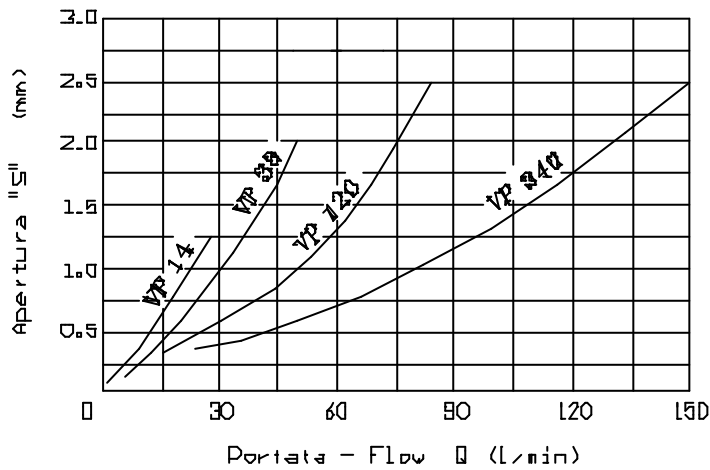
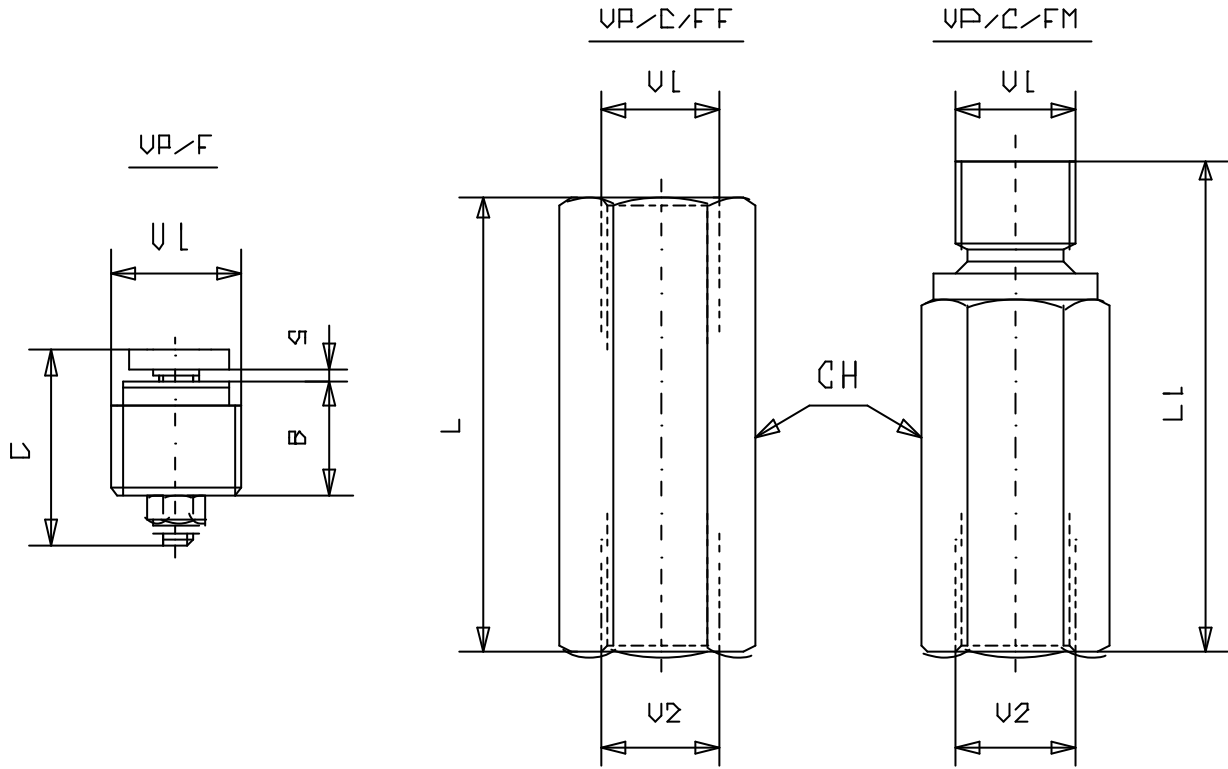
HOSE RUPTURE VALVES

Tipo/Type:

VP/..

1

25.00



Press. max (Bar)
350

CODICE	U1-U2	B	C	L	L1	CH	
VP/F 14	G 1/4	10.5	18.5	48	52	19	
VP/F 38	G 3/8	13.5	22.5	52	59	22	
VP/F 120	G 1/2	15	26	62	69	27	
VP/F 340	G 3/4	21	33	73	84	32	



VALVOLA DI BLOCCO PER TUBI (PARACADUTE)

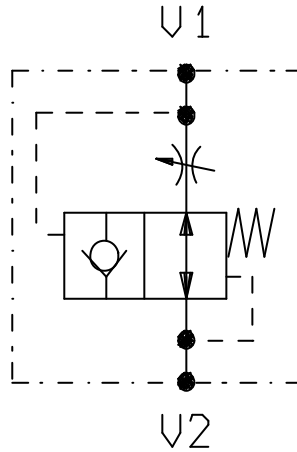
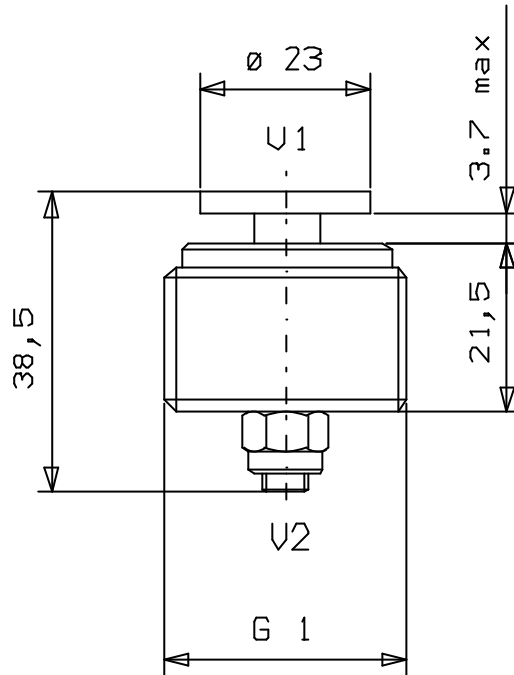
HOSE RUPTURE VALVES

Tipo/Type:

VP/F 1000

1

25.01



Portata max. (l/min)
200

Press. max. (Bar)
300



VALVOLA UNIDIREZIONALE A INSERTO, TENUTA A SFERA

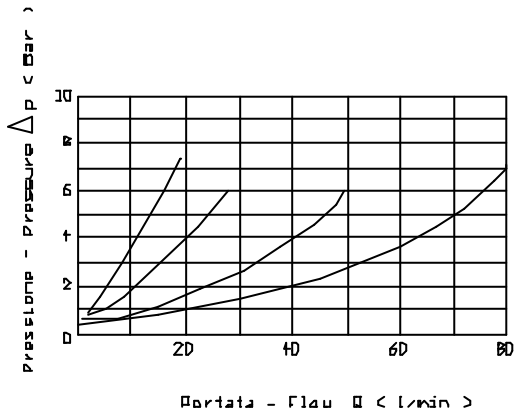
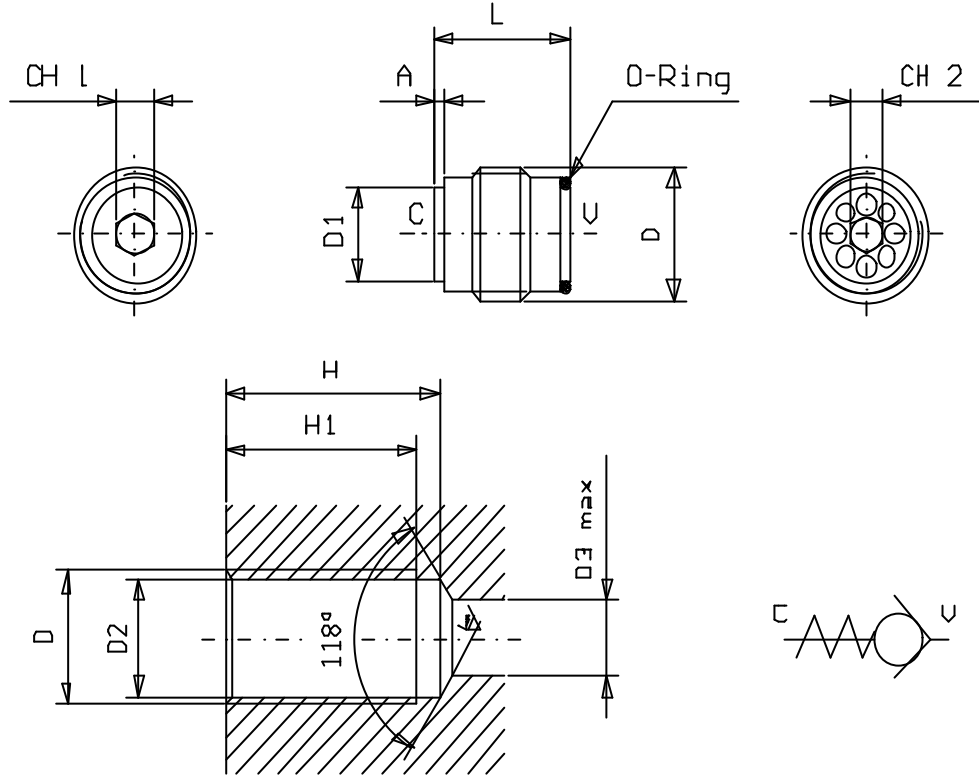
INSERT CHECK VALVE, BALL TYPE

Tipo/Type:

VR/IN

1

26.00



CODICE	COPPIA DI SERRAGGIO TIGHTENING TORQUE (Nm)	DESO WEIGHT (kg)	D max (mm)	PRESS. DI APERTURA CRACKING PRESSURE (bar)
VR/IN 14	6	0.015	15	2.3
VR/IN 38	6	0.025	30	1.75
VR/IN 120	10	0.040	50	1.75
VR/IN 340	20	0.070	80	0.3

CODICE	D	D1	D2	D3	CH1	CH2	H	H1	L	A	O-Ring
VR/IN 14	G 1/4	9.2	11.0	8	3	3	28	25	17	1	9 x 1
VR/IN 38	G 3/8	11	15.2	9	4	3	30	27	18.5	1.8	10.8 x 1.8
VR/IN 120	G 1/2	14.2	19	12	6	5	36	32	22.5	1.8	14 x 1.8
VR/IN 340	G 3/4	19	24.5	17	8	8	42	37	28.5	2.7	18.7 x 2.6