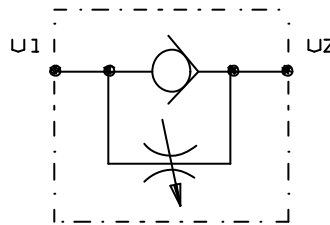
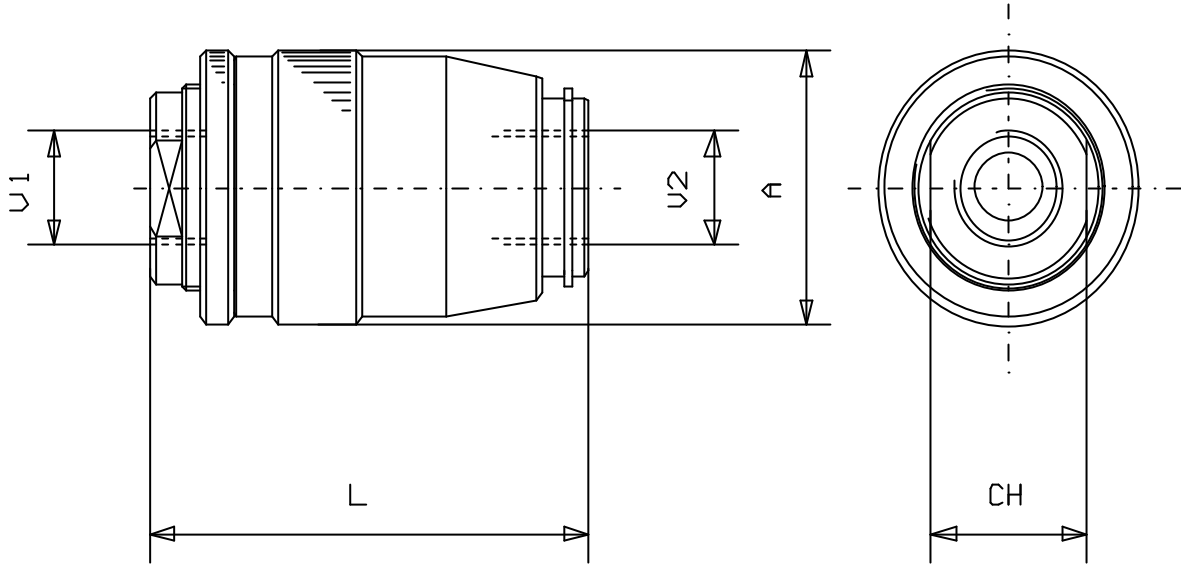

SEZIONE 2

SECTION 2

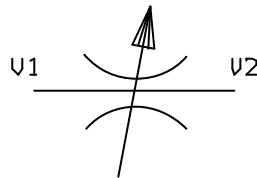
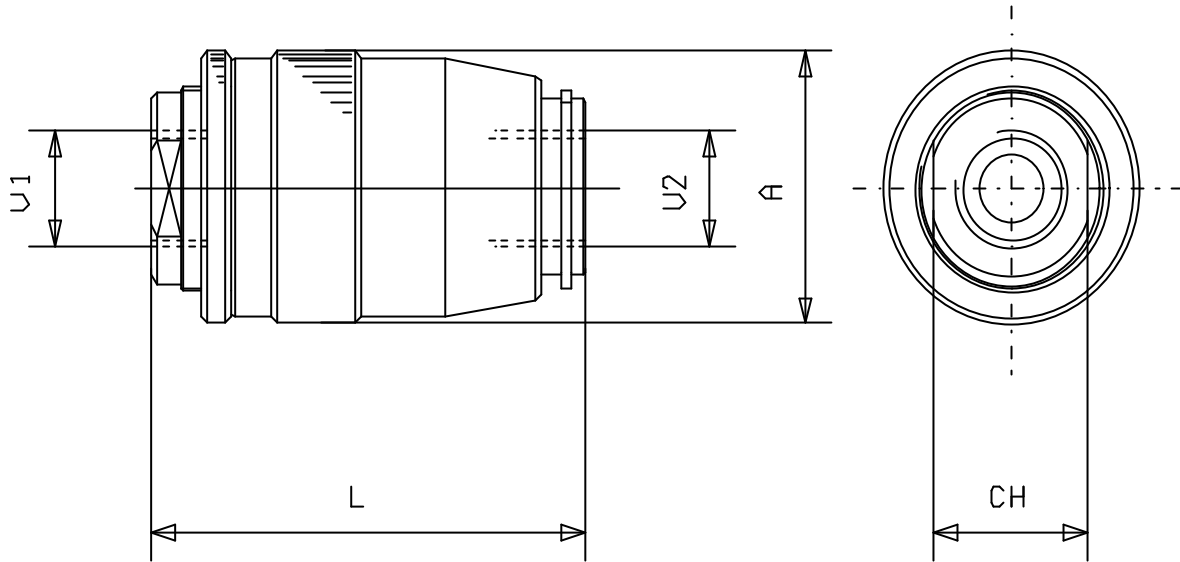


VALVOLE CONTROLLO PORTATA
FLOW CONTROL VALVES





CODICE	U1-U2	A	L	CH	Portata Q (l/min)	Press. max (Bar)	
SR 1	G 1/4	34	62	18	18	350	
SR 2	G 3/8	40	68	25	30	350	
SR 3	M18*1.5	40	68	25	30	350	
SR 4	G 1/2	48	78	28	50	300	
SR 5	G 3/4	54	95	32	90	300	
SR 6	G 1	70	124	42	120	300	



CODICE	U1-U2	A	L	CH	Portata Q (l/min)	Press. max (Bar)	
SRB 1	G 1/4	34	62	18	18	350	
SRB 2	G 3/8	40	68	25	30	350	
SRB 3	M18*1.5	40	68	25	30	350	
SRB 4	G 1/2	48	78	28	50	300	
SRB 5	G 3/4	54	95	32	90	300	



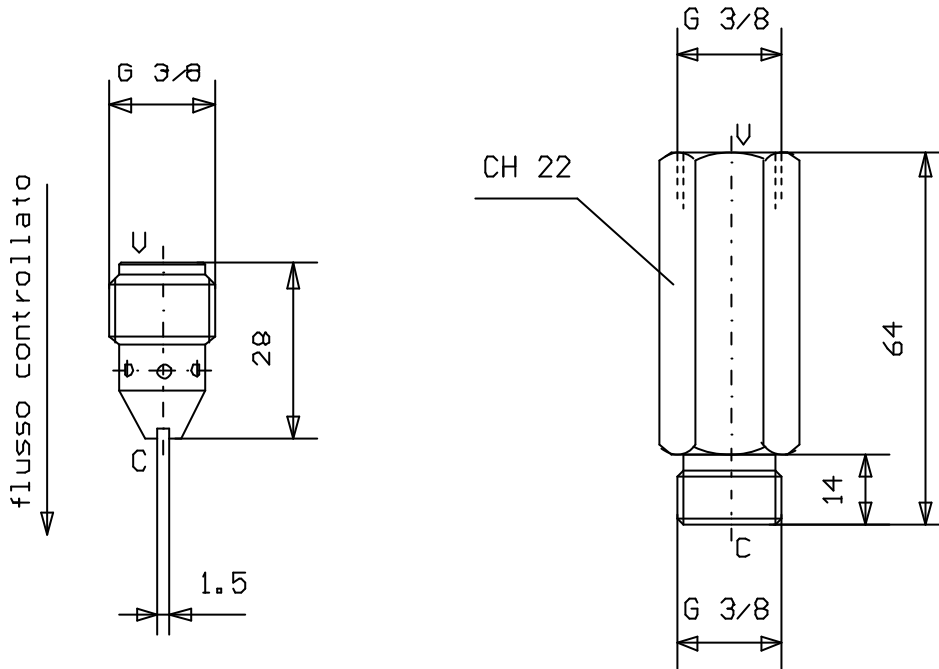
REGOLATORE DI FLUSSO A 2 VIE
 COMPENSAZIONE BARICA
 2 - WAY PRESSURE COMPENSATED FLOW REGULATOR

Tipo/Type:

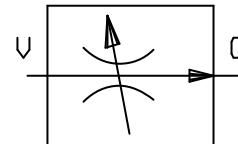
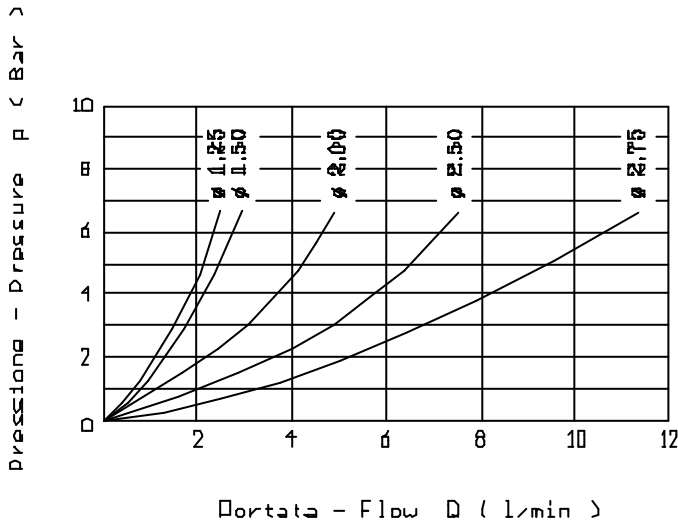
VSCI 38

2

03.00



Colonna FM: flusso controllato U - C
 Colonna MF: flusso controllato C - U



Press. max.
 (Bar)
 210

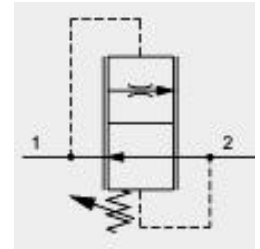
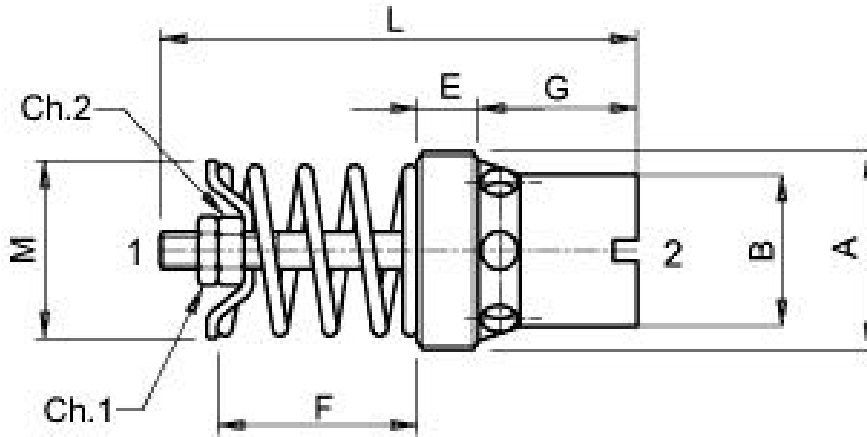
Pressione minima: (Bar)	7								
Port. controllata: U - C	1.1	1.7	2.0	3.0	3.5	4.0	5.0	6.0	7.0
Orifizio \varnothing (mm)	0.75	1.00	1.25	1.50	1.75	2.00	2.25	2.50	2.75



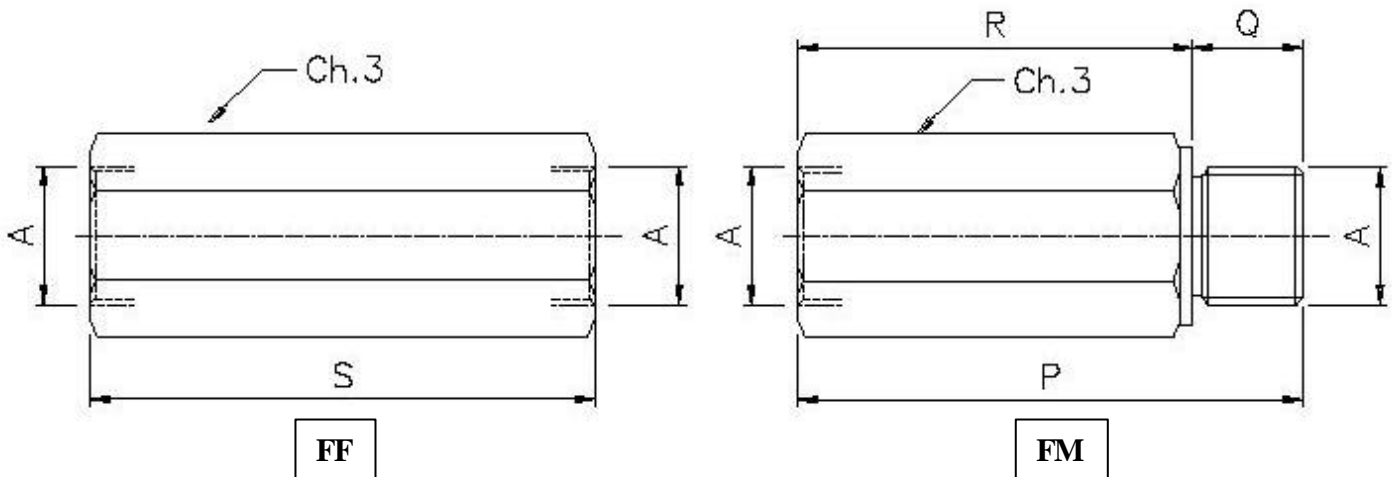
VALVOLA DI CONTROLLO DISCESA COMPENSATA REGOLABILE

ADJUSTABLE COMPENSATED LOAD CONTROL VALVES

Tipo/Type: **VCD/CR ...** 2 03.50



CODICE CODE	A	Max Flow (l/min)	Max Pressure (bar)	B	C	E	G	L	M	CH 1	CH 2	Tightening torque (Nm)	Weight (kg)
VCD/CR 14	G 1/4	15	300	10	4	6.5	13.5	39	10	5.5	5.5	6	0.013
VCD/CR 38	G 3/8	35	300	11.5	6	7	15	45	14	6	7	8	0.024
VCD/CR 120	G 1/2	65	300	16	6	7	16.5	51	18	6	7	12	0.037
VCD/CR 340	G 3/4	150	300	20	8	9.5	21.5	62	23	6	7	15	0.070
VCD/CR 1000	G 1	250	250	26	14	15	25	82	28.5	8	8	20	0.150
VCD/CR 1140	G 1-1/4	400	250	33	7.5	20.5	31.5	95	35	10	10	25	0.270



Campo di regolazione - Range of flow (l/min)						
CODE	A	B	C	D	E	F
VCD/CR 14	1-1.6	1.5-2.5	2.4-4	3.9-6.3	6.2-10	9.5-15
VCD/CR 38	2.5-4	3.8-6.3	6.1-10	9.8-16	15.8-25	24.5-35
VCD/CR 120	16-21	20.5-28	27.5-37	36.5-50	48-65	/
VCD/CR 340	37-50	48-65	63-90	88-120	115-150	/
VCD/CR 1000	80-100	100-130	128-162	160-200	195-250	/
VCD/CR 1140	160-210	205-250	245-280	270-340	330-400	/

On request we can supply setted valves.

ORDERING CODE:

Example:

VCD / CR 38/A - FF

Port: G 3/8

Range of flow: "A"

Column type: female-female



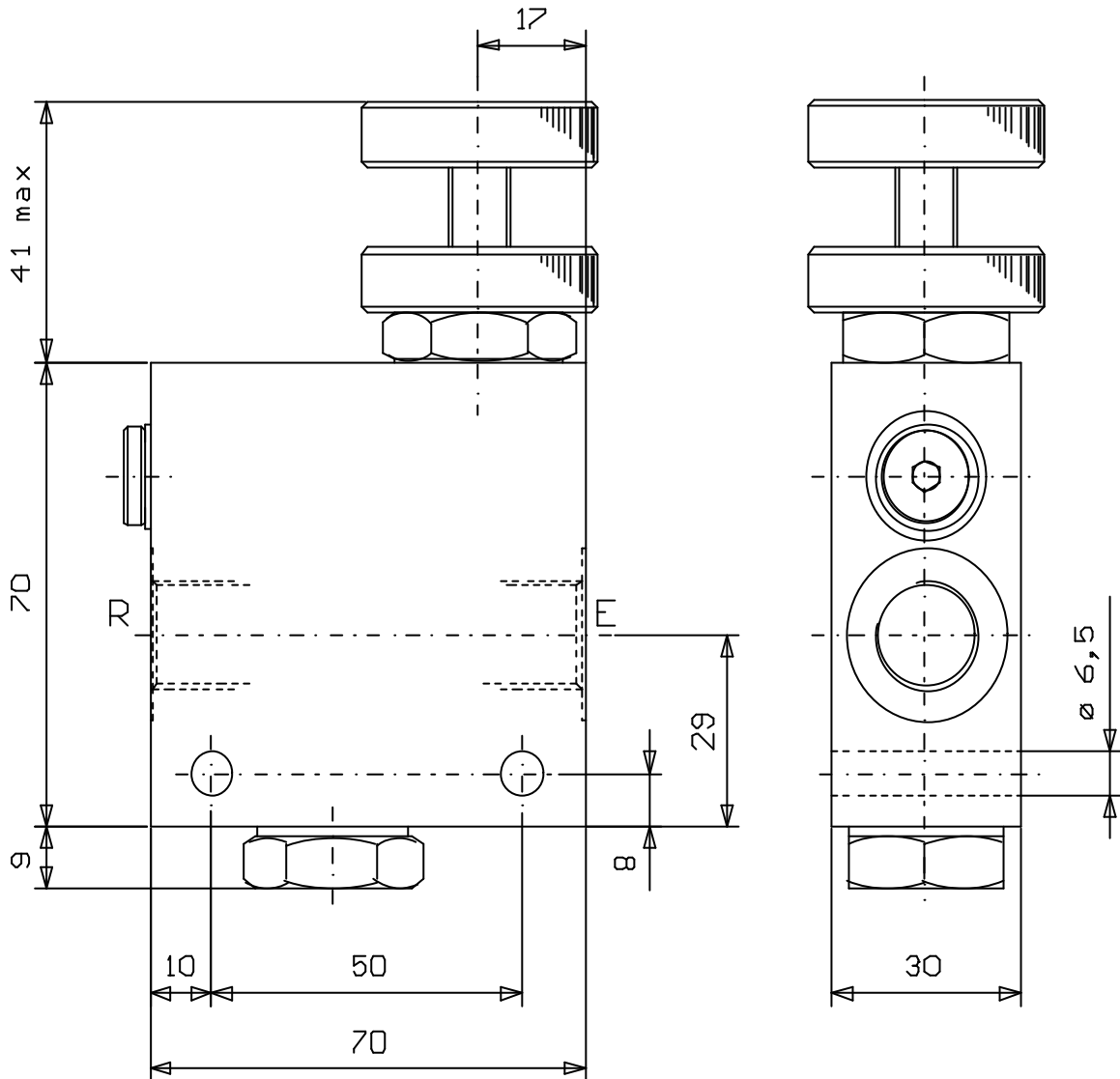
REGOLATORE DI FLUSSO, 2 VIE, COMPENSATO

TWO-WAY TYPE, PRESSURE COMPENSATED FLOW REGULATORS

Tipo/Type: VRF/C/2V ...

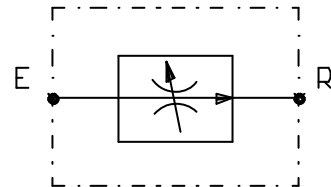
2

03.80



Q_E max (l/min)
25

Press. max. (Bar)
210



CODICE	ATTACCHI/PORTS: E-R
VRF/C/2V 14	G 1/4
VRF/C/2V 38	G 3/8



REGOLATORE DI FLUSSO, 2 VIE, COMPENSATO

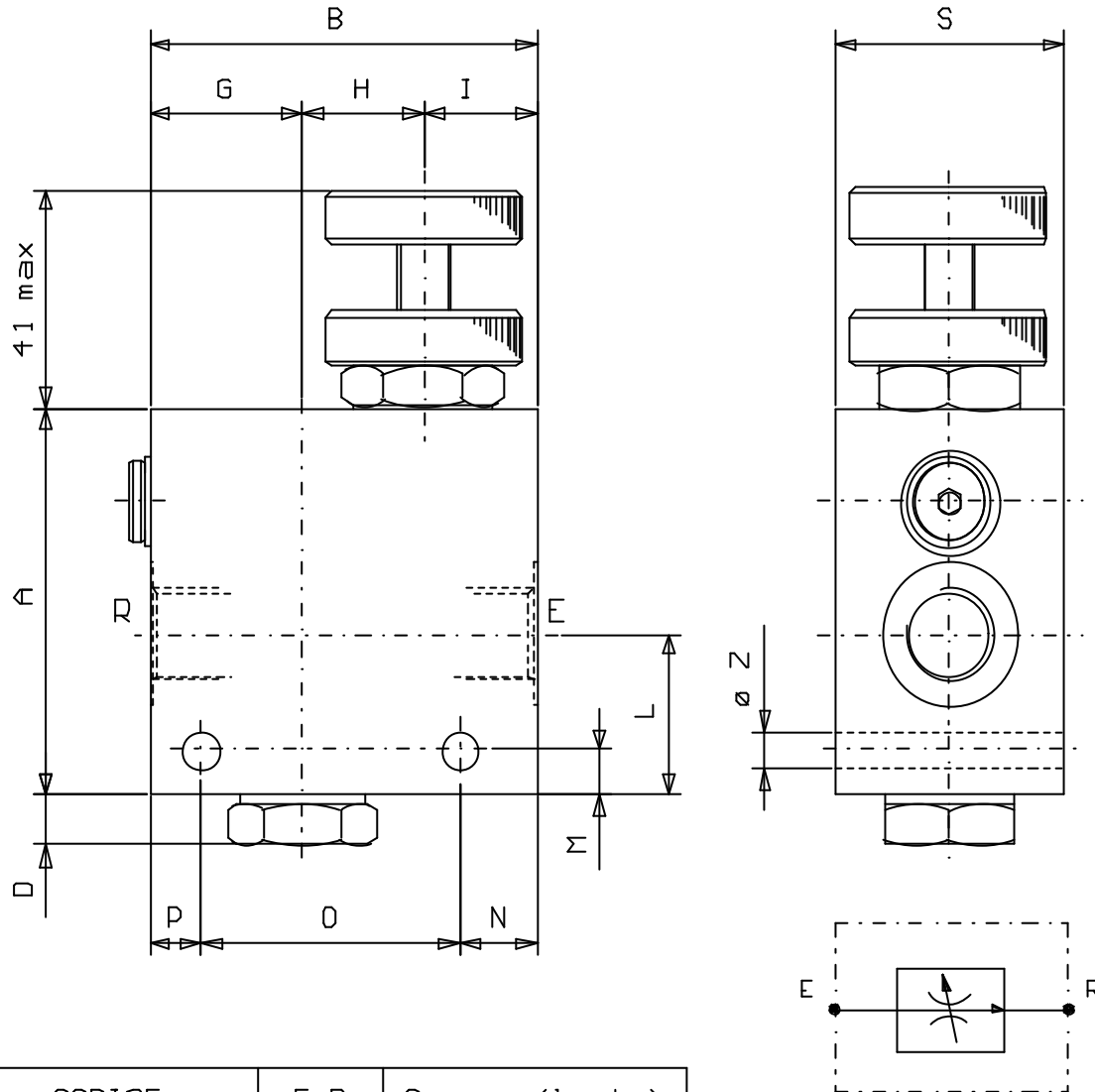
TWO-WAY TYPE, PRESSURE COMPENSATED FLOW REGULATORS

Tipo/Type:

VRF/C/2V ...

2

03.81



CODICE	E-R	Q _E max (l/min)
VRF/C/2V 120	G 1/2	55
VRF/C/2V 340	G 3/4	90
VRF/C/2V 1000	G 1	190

Press. max. (Bar)
210

CODICE	A	B	D	G	H	I	L	M	N	O	P	S	Z
VRF/C/2V 120	85	80	10	30	30	20	39	8	8	64	8	35	6.5
VRF/C/2V 340	100	100	10	36.5	38.5	25	44	10	10	82	8	50	8.5
VRF/C/2V 1000	108	108	10	41.5	36.5	30	46	10	18	82	8	50	8.5



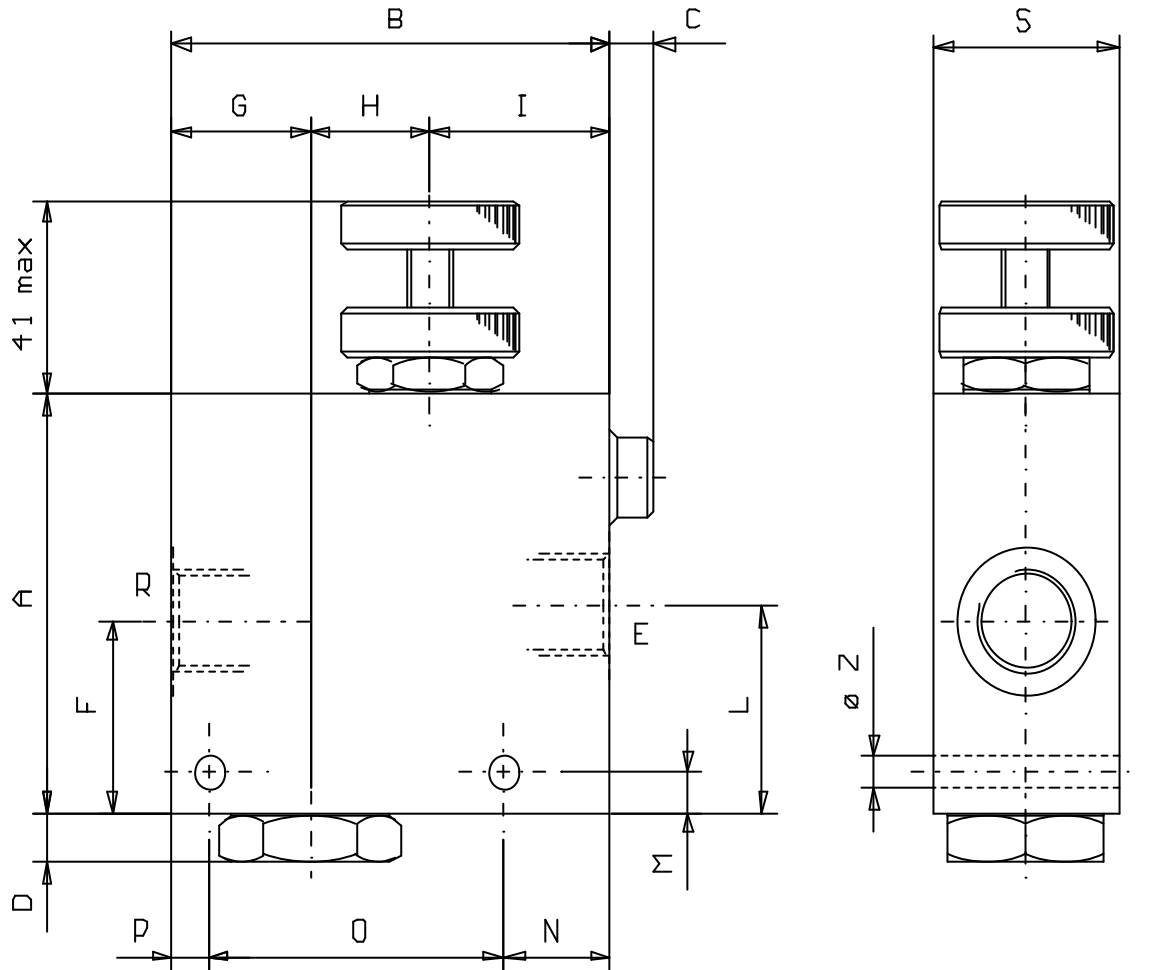
REGOLATORE DI FLUSSO, 2 VIE, COMPENSATO
CON RITORNO LIBERO

TWO-WAY TYPE, PRESSURE COMPENSATED FLOW REGULATORS
WITH FREE REVERSE FLOW

Tipo/Type: VRF/C/2V/RL ...

2

03.90



CODICE	E-R	Q _E max (l/min)
VRF/C/2V/RL 38	G 3/8	30
VRF/C/2V/RL 120	G 1/2	55

Press. max. (Bar)
210

CODICE	A	B	C	D	F	G	H	I	L	M	N	O	P	S	Z
VRF/C/2V/RL 38	85	95	9.5	10	39	30	26	39	43.5	8	23	64	8	40	6.5
VRF/C/2V/RL 120	85	95	9.5	10	39	30	26	39	42	8	23	64	8	40	6.5



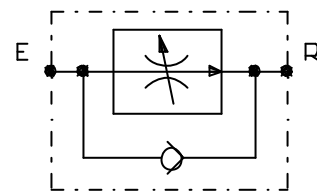
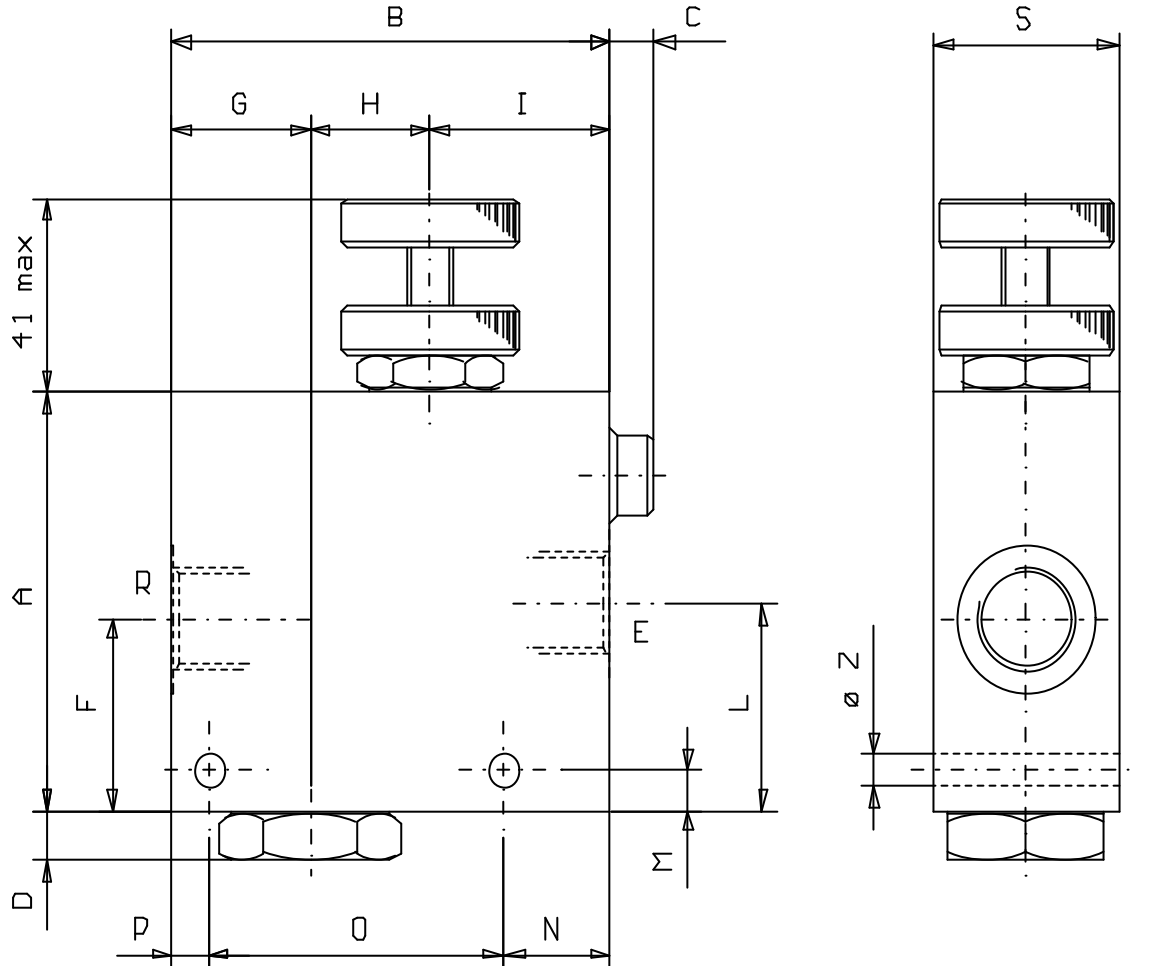
REGOLATORE DI FLUSSO, 2 VIE, COMPENSATO
CON RITORNO LIBERO

TWO-WAY TYPE, PRESSURE COMPENSATED FLOW REGULATORS
WITH FREE REVERSE FLOW

Tipo/Type: VRF/C/2V/RL ...

2

03.91



CODICE	E-R	Q _E max (l/min)
VRF/C/2V/RL 340	G 3/4	90
VRF/C/2V/RL 1000	G 1	190

Press. max. (Bar)
210

CODICE	A	B	C	D	F	G	H	I	L	M	N	O	P	S	Z
VRF/C/2V/RL 340	100	130	15.5	10	44	35	40	55	46	10	40	82	8	50	8.5
VRF/C/2V/RL 1000	110	145	11.5	10	46	40	40	65	44	10	55	82	8	50	8.5



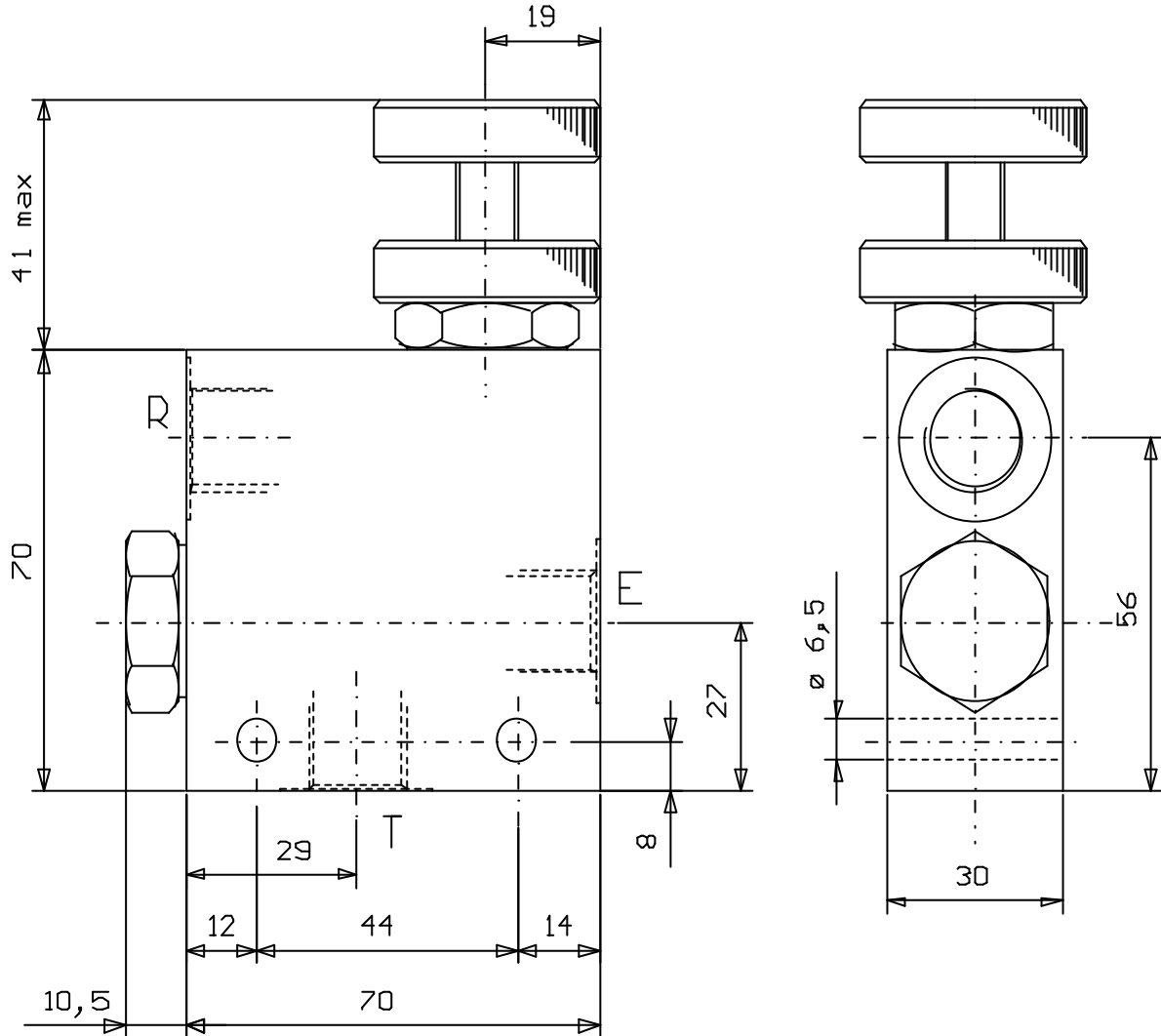
REGOLATORE DI FLUSSO, 3 VIE, COMPENSATO

THREE WAY, PRESSURE COMPENSATED FLOW REGULATORS

Tipo/Type: VRF/C/3V ...

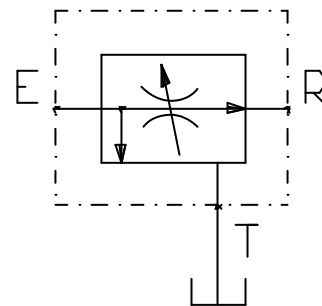
2

04.00



Q_E max (l/min)	Q_R max (l/min)
40	25

Press. max. (Bar)
210



CODICE	ATTACCHI / PORTS: E-R-T
VRF/C/3V 14	G 1/4
VRF/C/3V 38	G 3/8



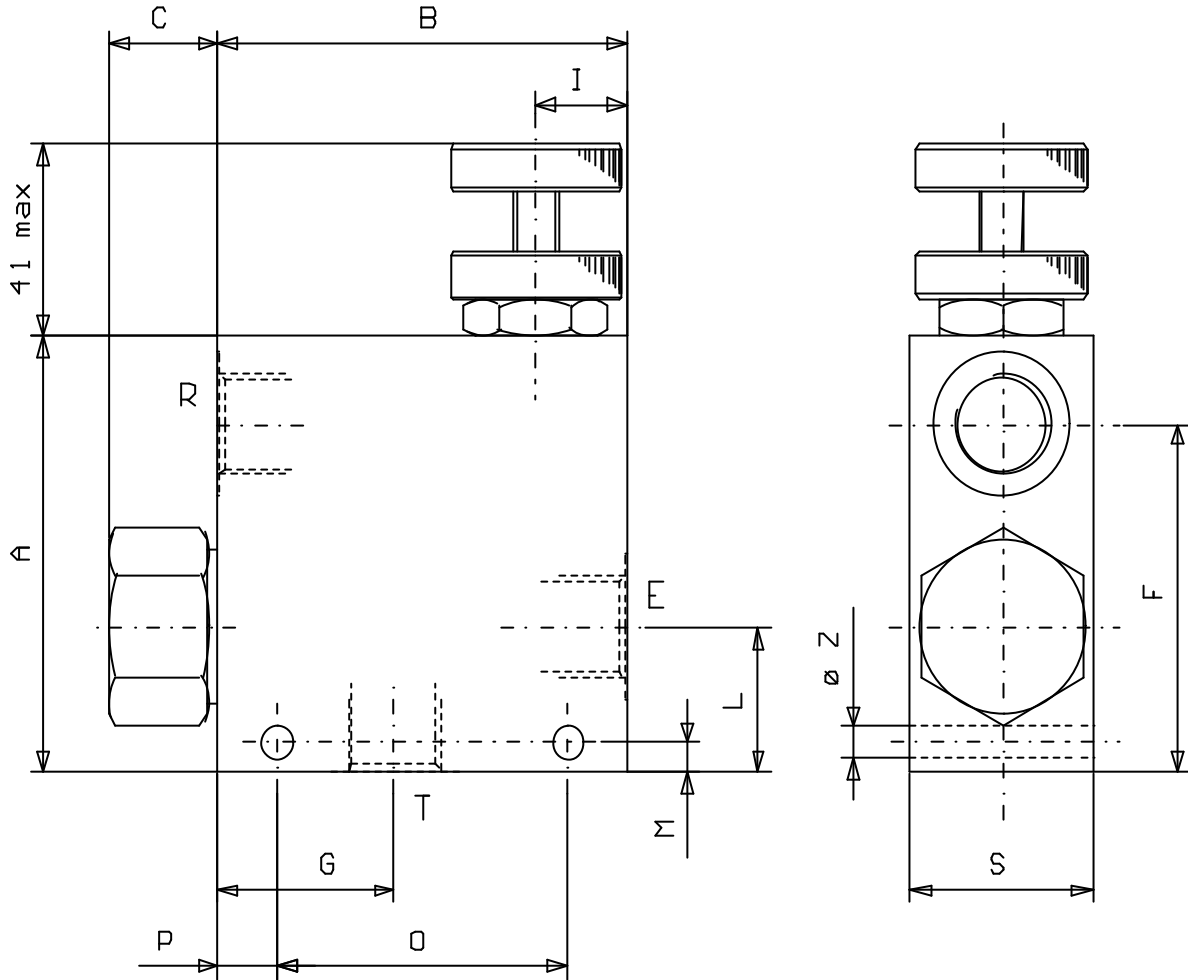
REGOLATORE DI FLUSSO, 3 VIE, COMPENSATO

THREE WAY, PRESSURE COMPENSATED FLOW REGULATORS

Tipo/Type: VRF/C/3V ...

2

04.01



CODICE	E-R-T	Q _E max (l/min)	Q _R max (l/min)
VRF/C/3V 120	G 1/2	90	55
VRF/C/3V 340	G 3/4	150	90

Press. max. (Bar)
210

CODICE	A	B	C	F	G	I	L	M	O	P	S	Z
VRF/C/3V 120	90	90	24	72	39	20	30	6	64	13	40	6.5
VRF/C/3V 340	110	110	24	87	44	30	35	7	88	10	50	8.5



REGOLATORE DI FLUSSO, 3 VIE, COMPENSATO

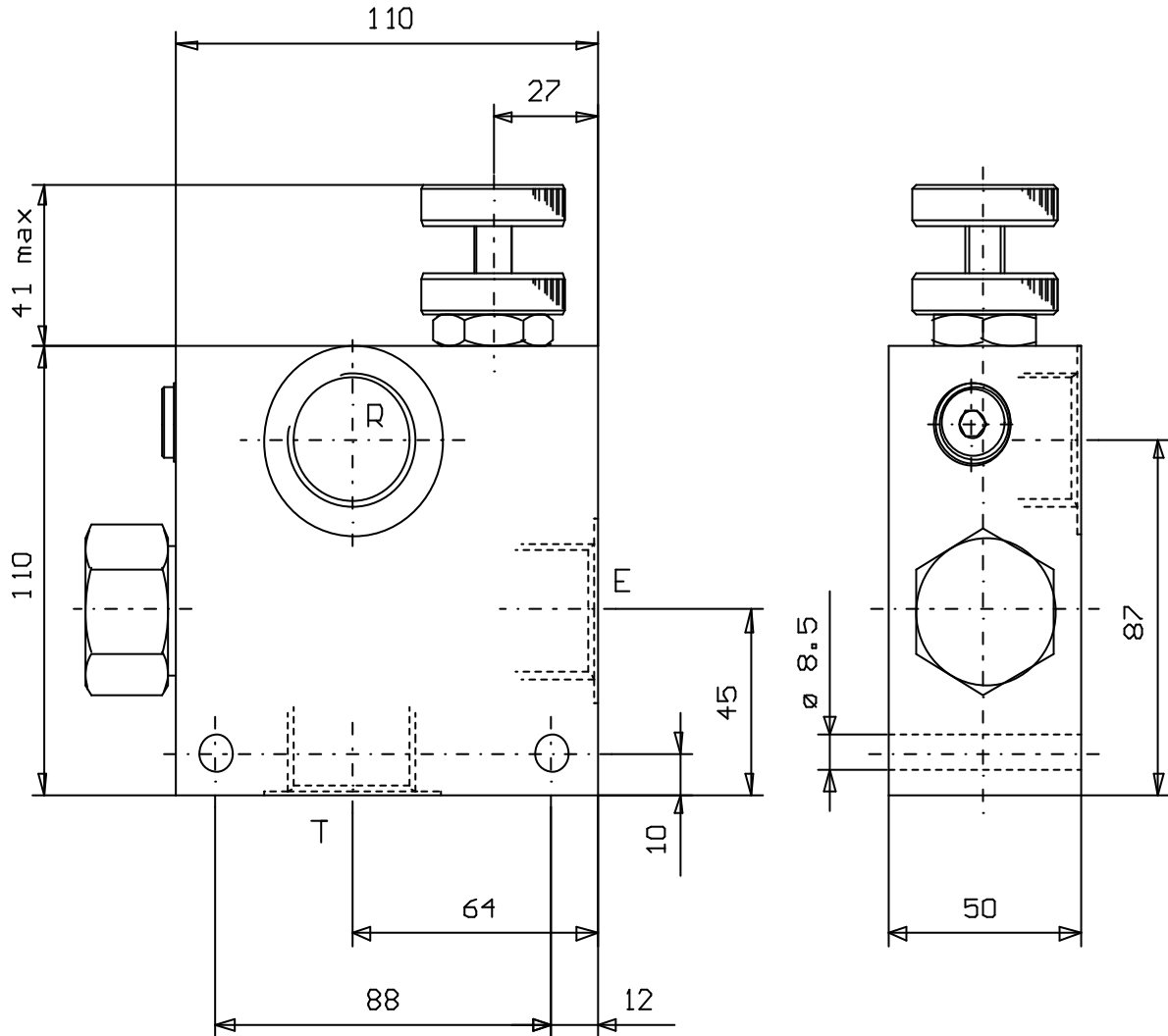
THREE WAY, PRESSURE COMPENSATED FLOW REGULATORS

Tipo/Type:

VRF/C/3V 1000

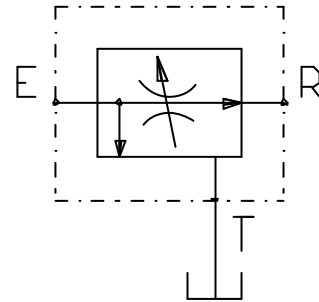
2

04.02



Q_E max (l/min)	Q_R max (l/min)
280	190

Press. max. (Bar)
210



ATTACCHI/PORTS: E-R-T
G 1



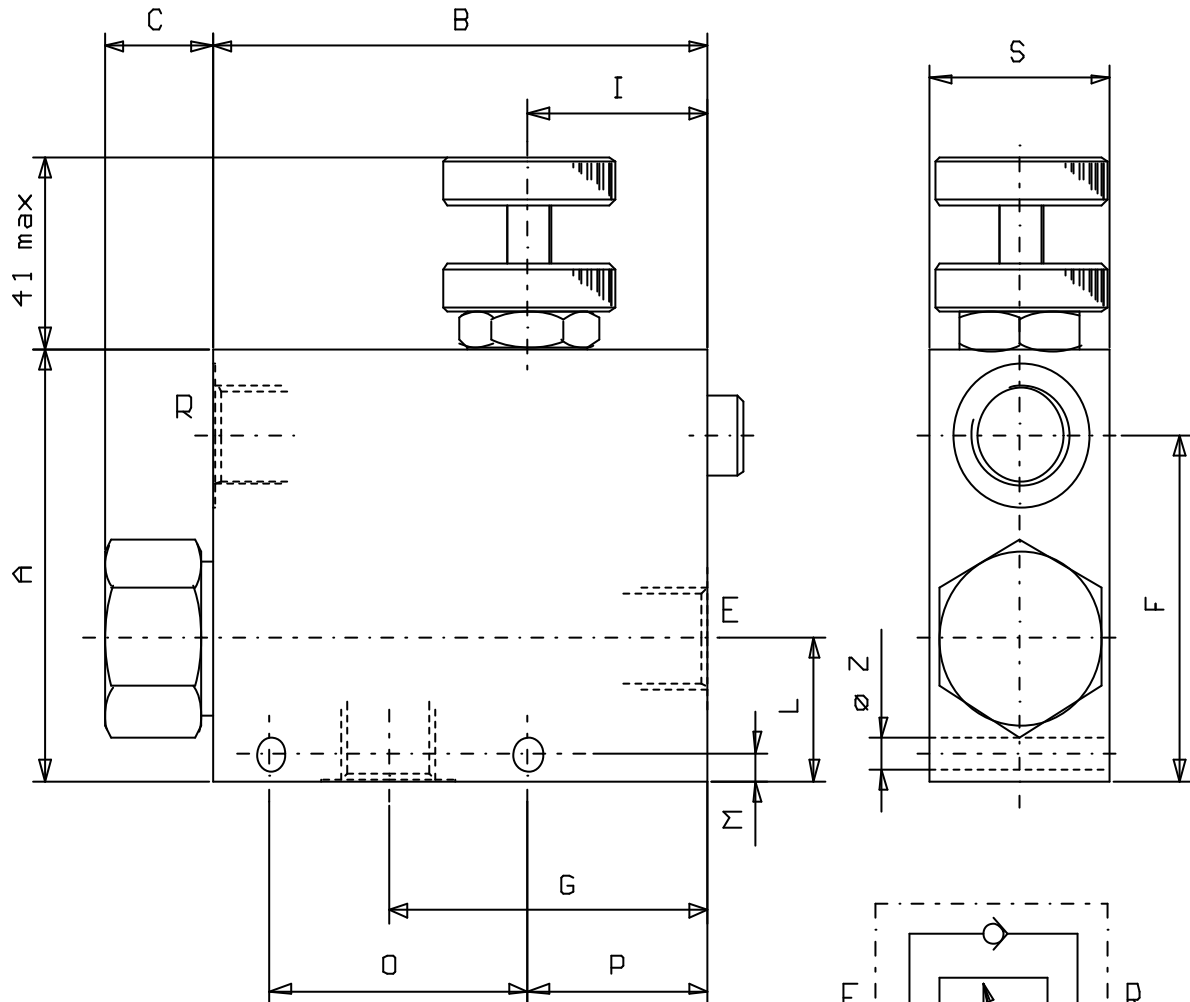
**REGOLATORE DI FLUSSO, 3 VIE, COMPENSATO
CON RITORNO LIBERO**

THREE-WAY TYPE, PRESSURE COMPENSATED FLOW REGULATORS
WITH FREE REVERSE FLOW

Tipo/Type: **VRF/C/3V/RL ...**

2

04.10



CODICE	E-R-T	Q_E max (l/min)	Q_R max (l/min)
VRF/C/3V/RL 38	G 3/8	55	30
VRF/C/3V/RL 120	G 1/2	90	55
VRF/C/3V/RL 340	G 3/4	150	90

Press. max. (Bar)
210

CODICE	A	B	C	F	G	I	L	M	O	P	S	Z
VRF/C/3V/RL 38	90	110	24	72	71	40	30	6	57	40	40	6.5
VRF/C/3V/RL 120	90	110	24	72	71	40	30	6	57	40	40	6.5
VRF/C/3V/RL 340	110	130	24	87	86	50	35	7	70	50	50	8.5



VALVOLA A STROZZAMENTO FISSO, UNIDIREZIONALE

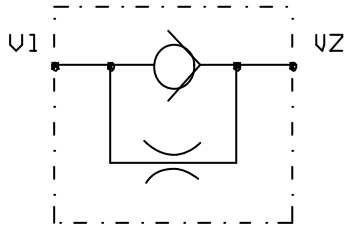
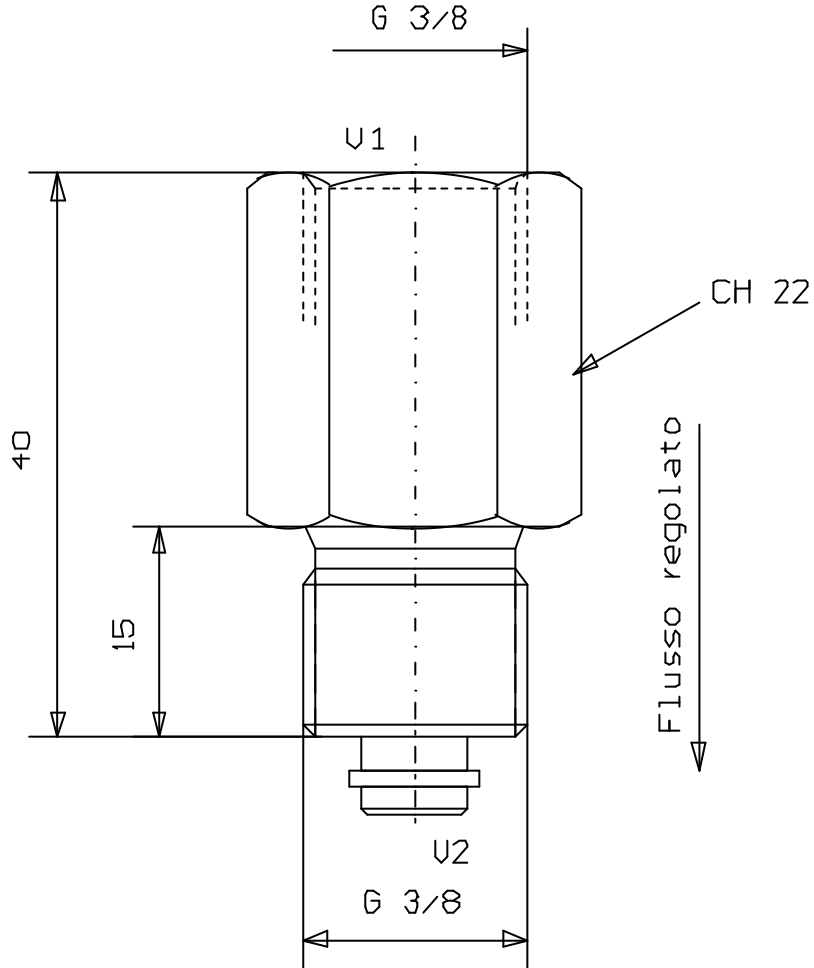
RESTRICTOR VALVES, FIXED TYPE

Tipo/Type:

VSF 38

2

05.00



Press. max. (Bar)
210

Ø Z standard (mm)
0.50
0.75
1.00
1.25
1.50
1.75
2.00

Altri fori: a richiesta
Other hole diameter: on request



VALVOLA A STROZZAMENTO FISSO, UNIDIREZIONALE

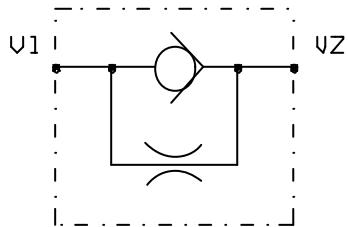
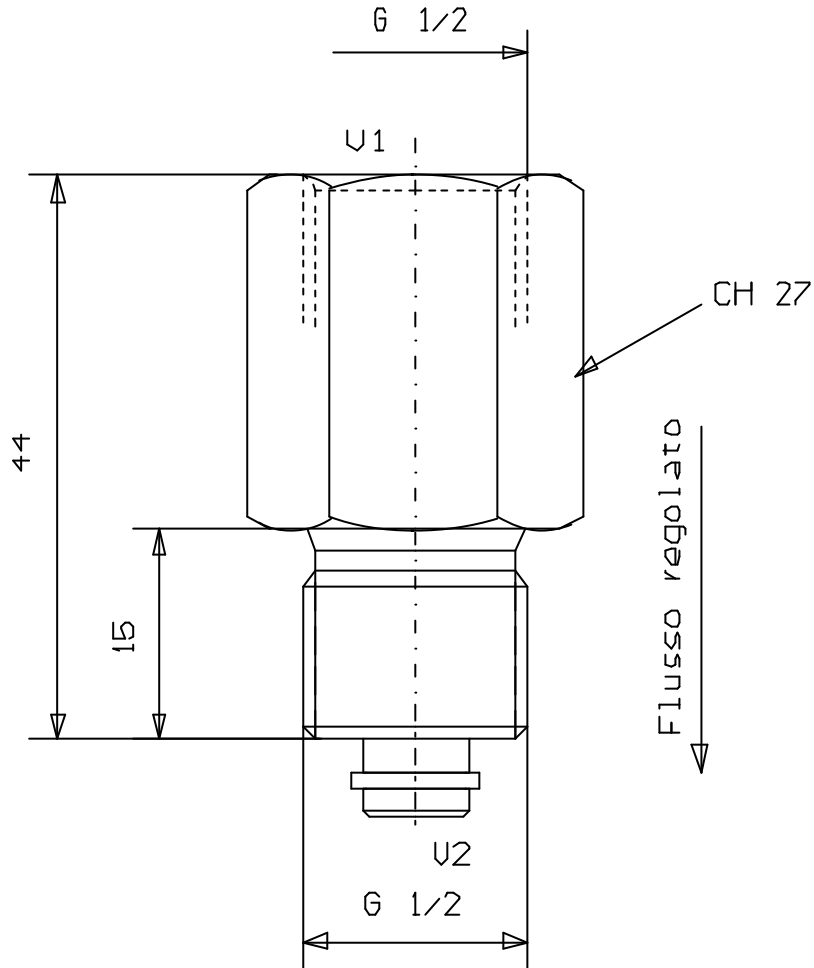
RESTRICTOR VALVES, FIXED TYPE

Tipo/Type:

VSF 120

2

05.10



Press. max. (Bar)
210

Ø Z standard (mm)
1.50
1.75
2.00
2.25
2.50
2.75
3.00

Altri fori: a richiesta
Other hole diameter: on request



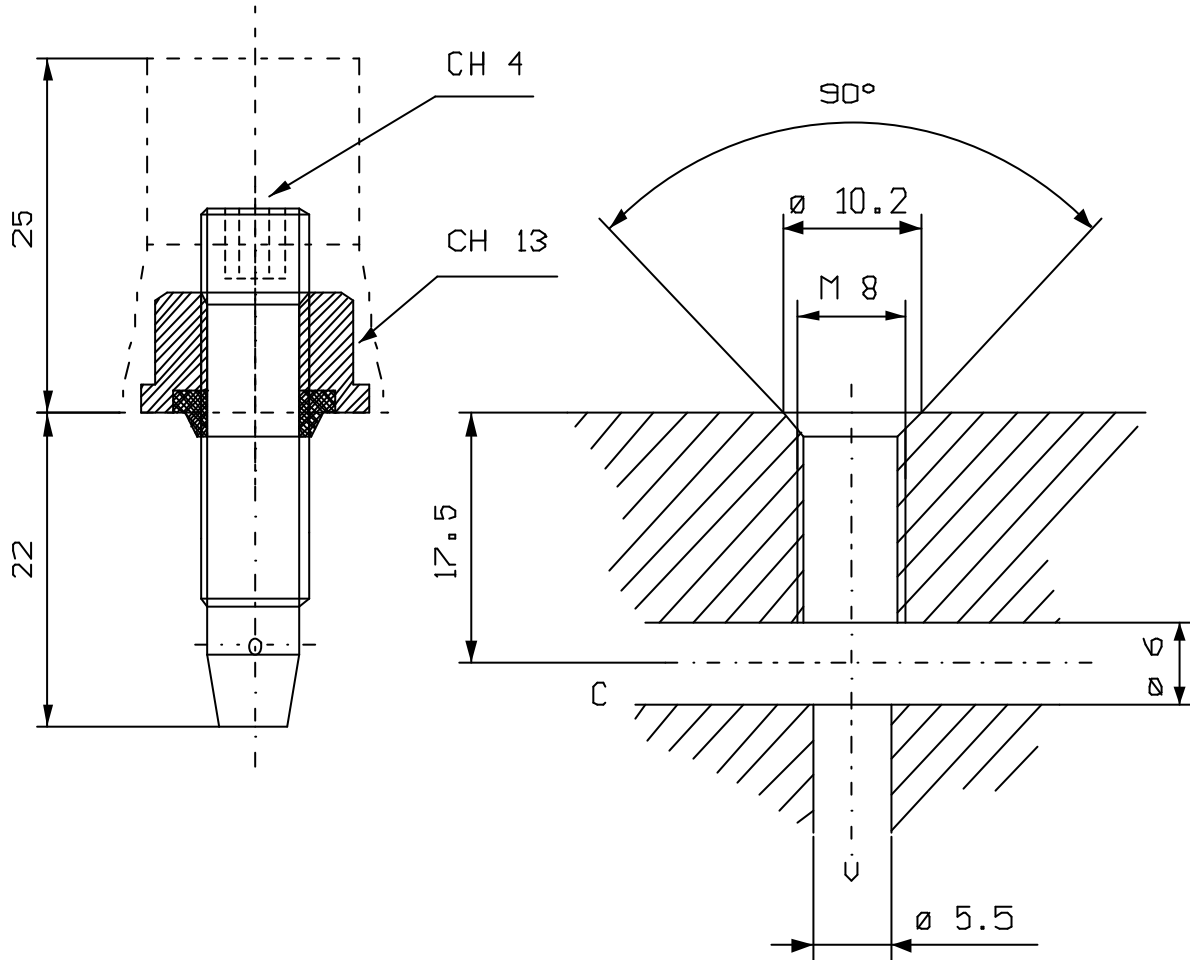
VALVOLA DI STROZZAMENTO REGOLABILE
UNIDIREZIONALE
RESTRICTOR VALVES

Tipo/Type:

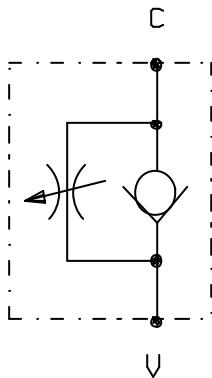
VSR/PIL 8

2

06.00



CAVITY 20580



Press. max.
(Bar)

350



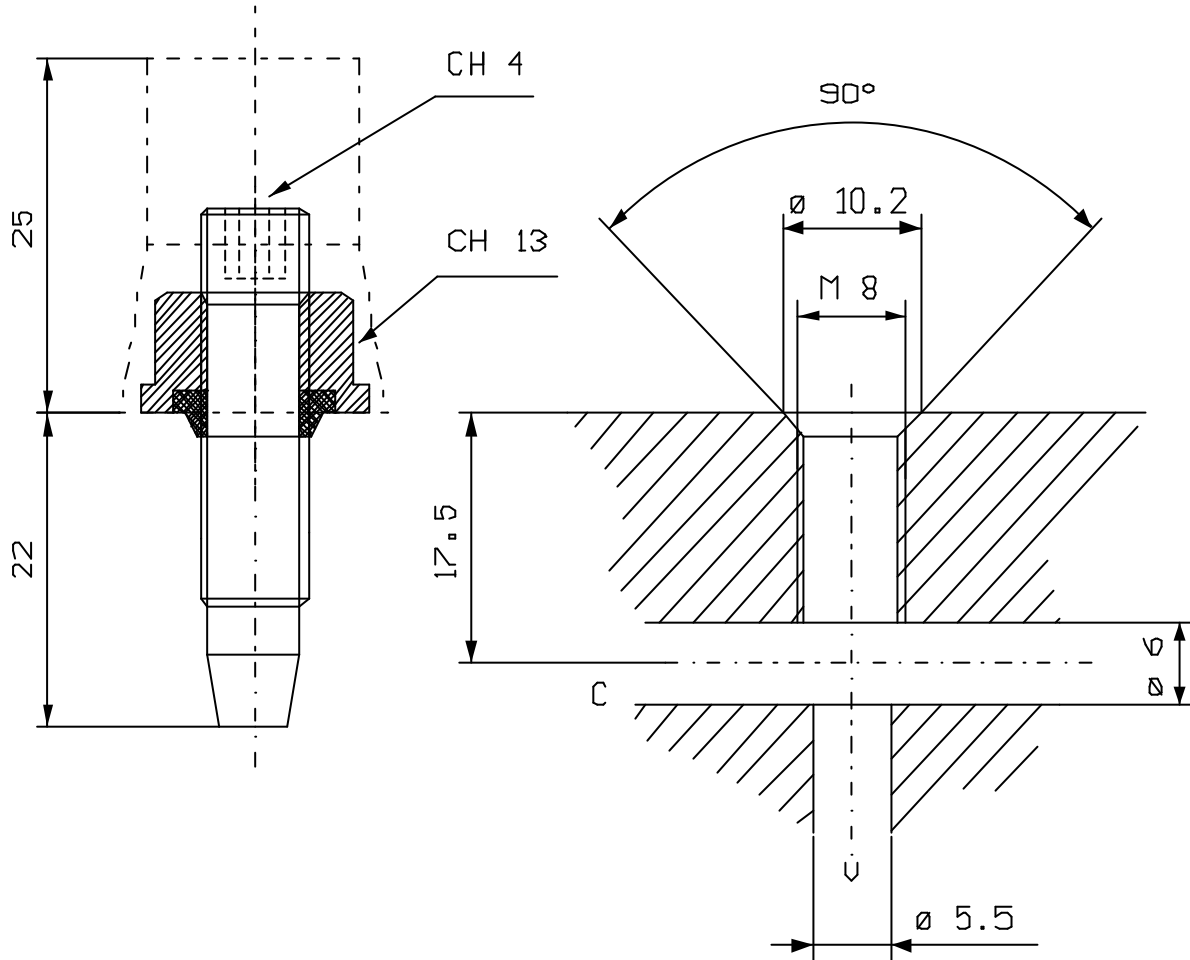
VALVOLA DI STROZZAMENTO REGOLABILE
BIDIREZIONALE
THROTTLE VALVES

Tipo/Type:

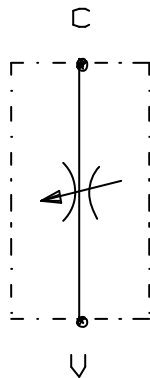
VSB/PIL 8

2

06.01



CAVITY 20580



Press. max.
(Bar)

350



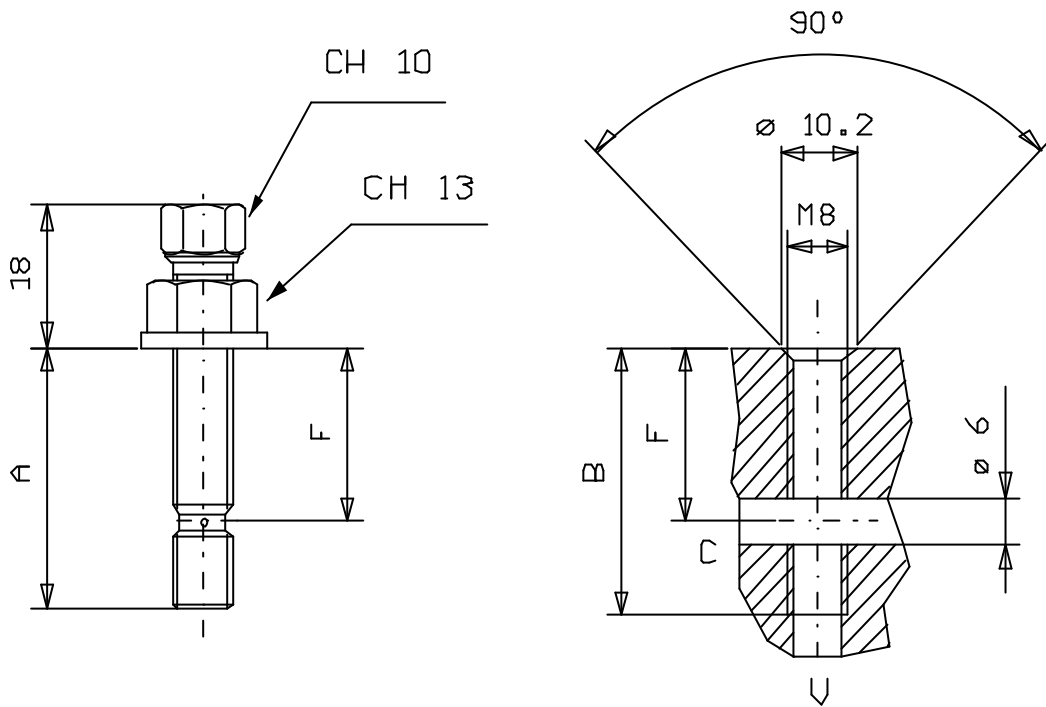
VALVOLA DI STROZZAMENTO PER REGOLAZIONE FINE
UNIDIREZIONALE

RESTRICTOR VALVES FOR FINE REGULATION

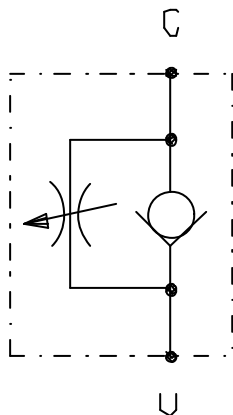
Tipo/Type: TE/PIL-...

2

06.05



CODICE	A	B	C
TE/PIL-STVR	33	34	22
TE/PIL-STVRL	54	55	43



Press. max. (Bar)
350



VALVOLA DI STROZZAMENTO REGOLABILE
UNIDIREZIONALE A CARTUCCIA

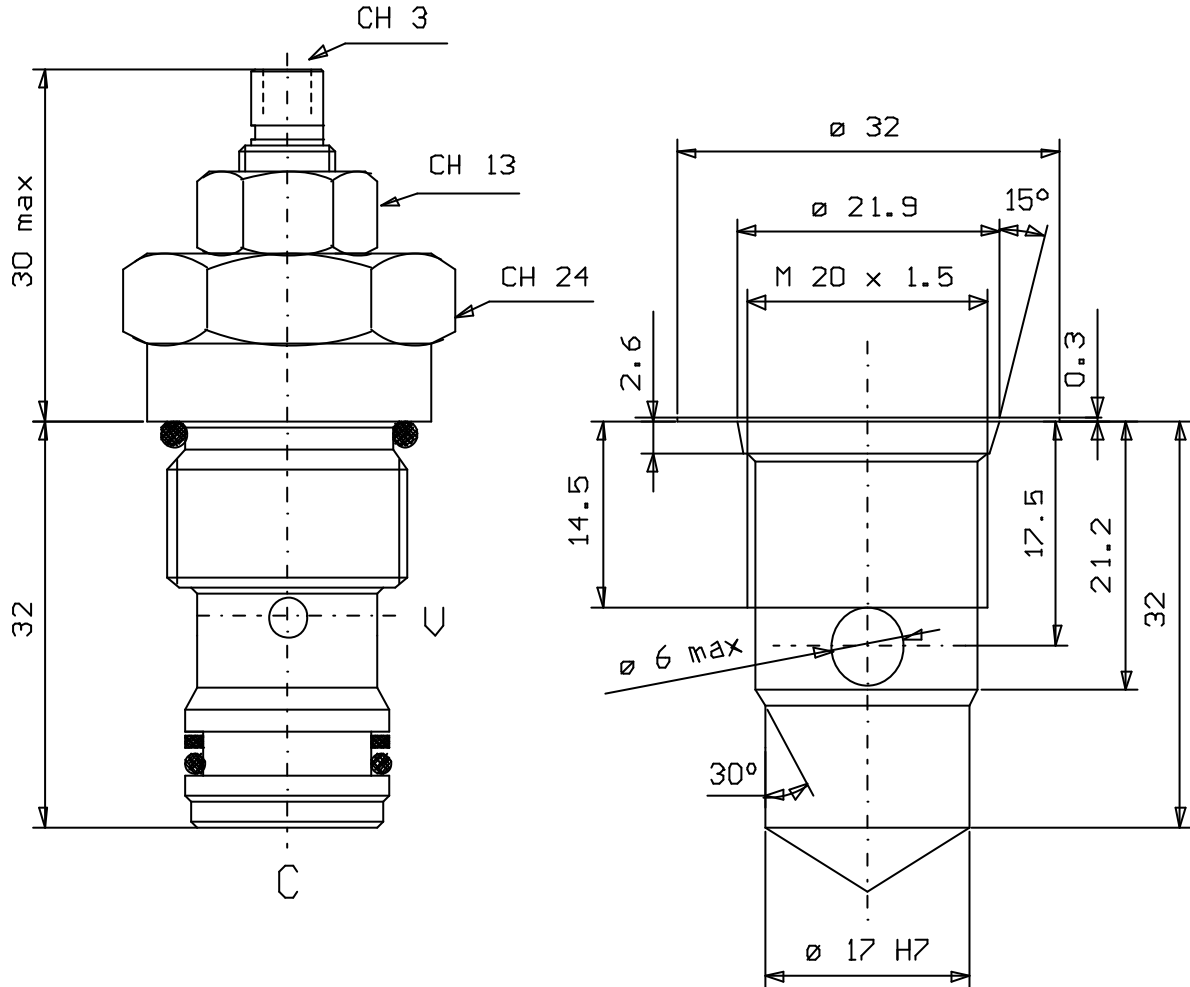
CARTRIDGE RESTRICTOR VALVES

Tipo/Type:

VSR/C 30

2

08.00

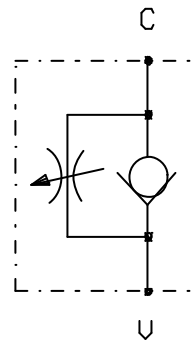


CA-20560

Portata max. (l/min)
30

Press. max. (Bar)
350

Coppia di serraggio Installation torque
40 - 50 (Nm)





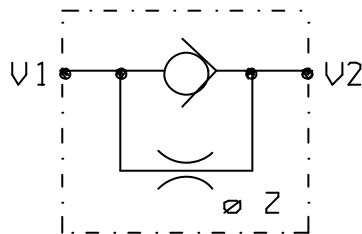
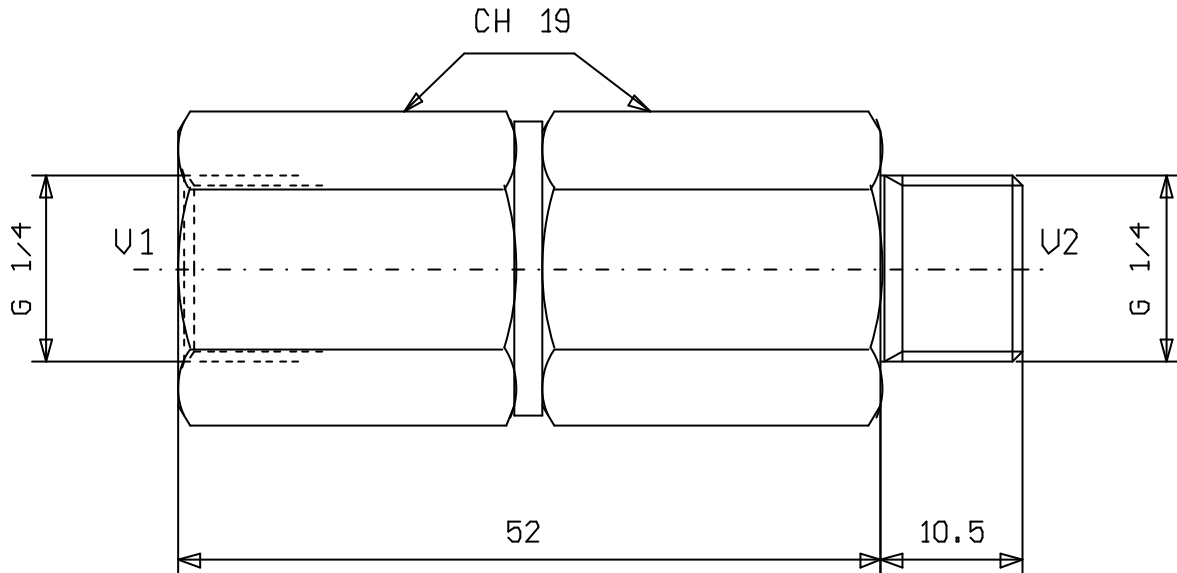
VALVOLA A STROZZAMENTO FISSO
 CON UNIDIREZIONALE
 RESTRICTOR VALVES, FIXED TYPE

Tipo/Type:

VSF/UD 14

2

12.00



$\varnothing Z$ (mm)	0.3	0.4	0.5	0.6	0.7	0.8	0.9	1.0	1.3	1.5	1.75
-------------------------	-----	-----	-----	-----	-----	-----	-----	-----	-----	-----	------

Press. max. (Bar)
350

Portata max. (l/min)
10

